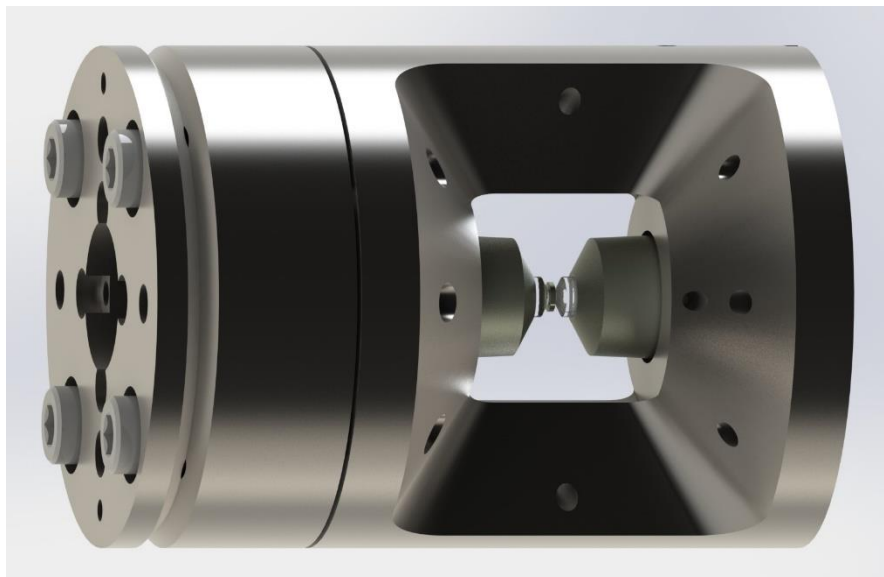
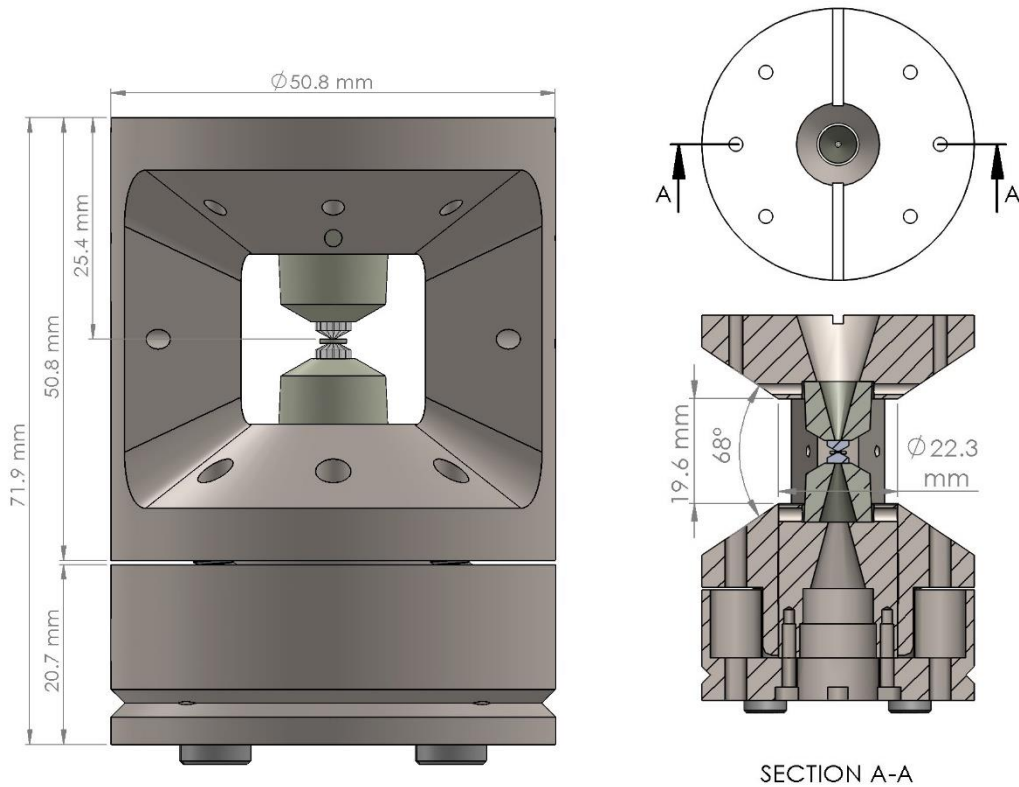


## Two-fold Panoramic Diamond Anvil Cell for Inelastic scattering, Radial diffraction, and Tomography



# Two-fold Panoramic Diamond Anvil Cell – angular openings

