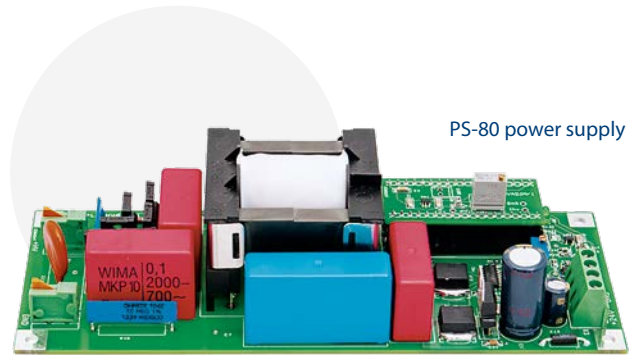


HV Power Supplies



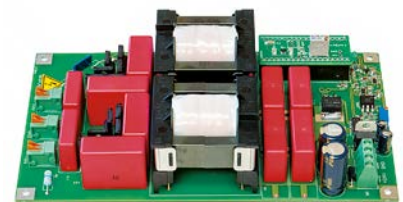
PS-80 power supply

OEM TYPE HIGH VOLTAGE POWER SUPPLY – PS

PS series Power supplies are designed for powering Pockels cell drivers with required power and voltage. Due to its performance and reliable design, PS is good choice for OEM customers. It features high stability low ripple output together with convenient voltage

control by internal trimmer or CAN computer interface.

Power supplies PS-120 and PS2-60 are equipped with overheat protection and LED indicator that stops operation and lights if ambient temperature exceeds 55 °C.



PS-120, PS2-60 power supply

Specifications

MODEL	PS-5	PS-40	PS-80	PS-120	PS2-60	PS-170	PS-2x85
Maximal high voltage output options ¹⁾	1.8 kV	1.3 kV	1.8 kV	1.8 kV	±1.4 kV	1.8 kV	±1.5 kV
	2.8 kV	1.8 kV	2.6 kV	2.6 kV	±2.0 kV	2.6 kV	±1.8 kV
	4.0 kV	2.5 kV	3.1 kV	3.1 kV	±2.6 kV	3.6 kV	
	4.4 kV	3.6 kV	3.6 kV	3.6 kV	±3.6 kV		
	5.0 kV	4.0 kV	4.0 kV				
Maximal output power at maximal output voltage ²⁾	5 W	40 W	80 W	120 W	2 × 60 W	170 W	2 × 85 W
Voltage control limits	$U_{max} - 1 \text{ kV}$ to U_{max} (internal trimmer); 40% U_{max} to U_{max} (CAN)					40% U_{max} to U_{max}	
Output voltage control options ³⁾	CAN interface ⁴⁾ , internal trimmer potentiometer						
External powering	24 V DC, <15 W	24 V DC, <50 W	24 V DC, <90 W	24 V DC, <150 W	24 V DC, <150 W	24 V DC, <200 W	
Dimensions (L × W × H)	135 × 70 × 30 mm	160 × 70 × 40 mm	175 × 70 × 45 mm	175 × 110 × 45 mm		152 × 80 × 58 mm	
Mounting holes Ø3.4 mm location	125 × 35 mm	150 × 60 mm	165 × 60 mm	165 × 100 mm		-	

¹⁾ Matching to Pockels cell driver voltage requirement is necessary by ordering.

²⁾ Maximal power is proportionally lower by tuning to lower HV output.

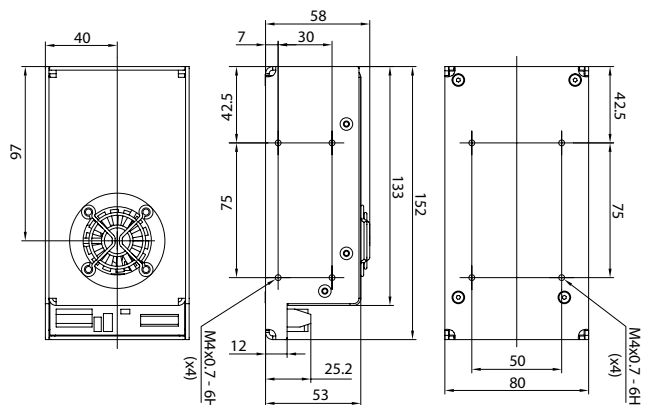
³⁾ Needs to be indicated by ordering.

⁴⁾ Requires USB-CAN converter for computer control that is sold separately. Voltage control limits from 40% U_{max} to U_{max} .

Output ripple is 0.5% typically at maximal power for all models of HV power supplies. External filter can be used to reduce that value if certain application requires smoother output. All Pockels cell drivers have integrated ripple filter and usually do not require additional one. Contact us for suggestions if your specific application needs lower ripple voltage.



PS-170, PS2-85 HV power supply



Outline drawing of PS-170, PS2-85 HV power supply