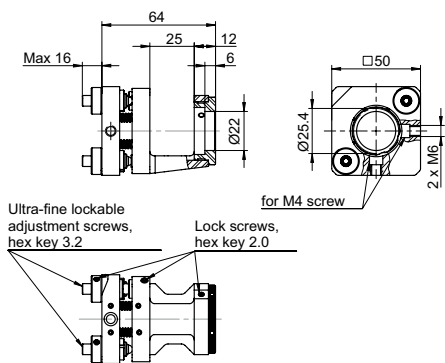


MOUNTING STAGE FOR POKKELS CELLS OF Ø25.4 mm – PM1

PM1 series mounting stage is designed for holding and positioning of Ø25.4 mm Pockels cells. The mount has ultra-fine thread lockable adjustment screws.

Specifications

MODEL	PM1
Adjusting angles, tilt and tip, deg	±3.5
Rotation along Z-axis, deg	180
Adjustment screw thread	M6×0.25
Screw sensitivity, µm	0.5



MOUNTING STAGE FOR POKKELS CELLS OF Ø35 mm – HPR-35

HPR series mounting stage is designed for holding and positioning of Ø35 mm Pockels cells. HPR stages with fine or ultra-fine screws are available upon request.

Specifications

MODEL	HPR-35
Adjusting angle along X and Y axis, deg	9
Rotating angle along Z-axis, deg	20
Beam height above breadboard, mm	50
Adjustment screw thread	M6×0.5
Screw sensitivity, µm	1.5

