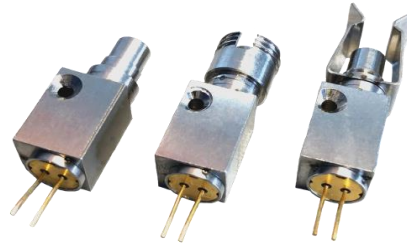


## 405nm Fiber Receptacle Laser Module

### PRODUCT FEATURE

405nm  
 Up to 350mW Output Power  
 Suit for 25um/50um Fiber Core  
 SC/FC/SMA905 Receptacle Connector  
 Coaxial Package  
 Design for CTP Application  
 Long Lifetime  
 High Stability



### PRODUCT OVERVIEW

405nm Receptacle Laser Module is the competitive product of WAVESPECTRUM.

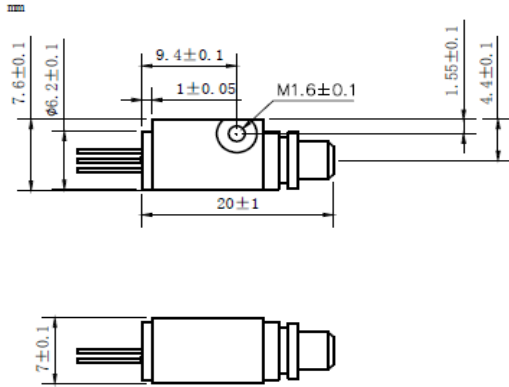
We offer 405nm Fiber Receptacle Laser Module, Which is suit for 25um , 50um fiber core, the output power upto 350mW. Meanwhile, the Receptacle Connector can be SC, FC or SMA905. It mainly used for CTP and medical application. WAVESPECTRUM also offer the Customized Solution for 405nm Fiber Receptacle Laser Modules, such as Customized Power and Customized Fiber Core to meet the special needs of customers.

WAVESPECTRUM use laser welding technology to guarantee the long-term reliability of the laser structure. To ensure the long-term reliability, each laser diode will undergo rigorous testing and aging in the factory. Meanwhile the high-low storage temperature circulation is also necessary for each laser diode. We set the storage temperature range from -40°C to +85°C, and it lasts 10 cycles, which will ensure the long-term reliability of the coupling structure.

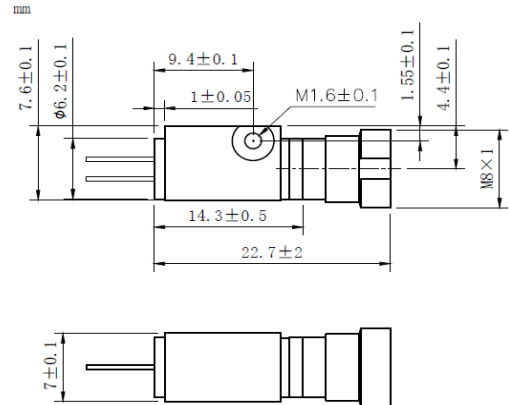


Wavelength	Part Number	Output Power	Fiber Core	Receptacle Connector
405nm	WSLR-405-200m-M	200mW	25um/40um/50um	FC/SC
	WSLR-405-300m-M	300mW	25um/40um/50um	FC/SC
	WSLR-405-350m-M	350mW	50um	FC/SC

**TOSA Packing View:**



**FC Package View :**



**SC Package View :**

