

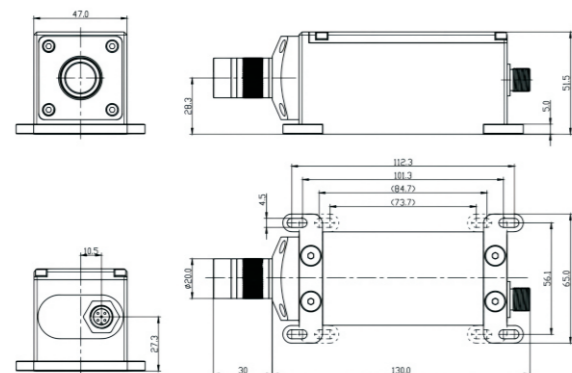
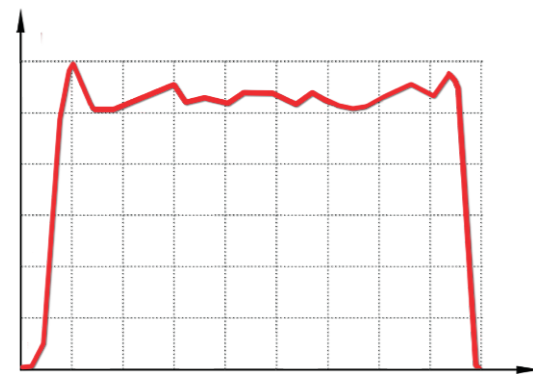
High Power Uniform Line Laser

High Power Uniform Line Laser serves as a precise laser scanning and measuring aid especially for Industrial solutions. With separated and integrated two different options, compact structure, stable directivity, High Power Uniform Line Laser offers flexibility and less limitation.



Feature

- High Reliability
- User Focusable
- Wide Voltage Operating
- Digital and Analog Modulation



Application

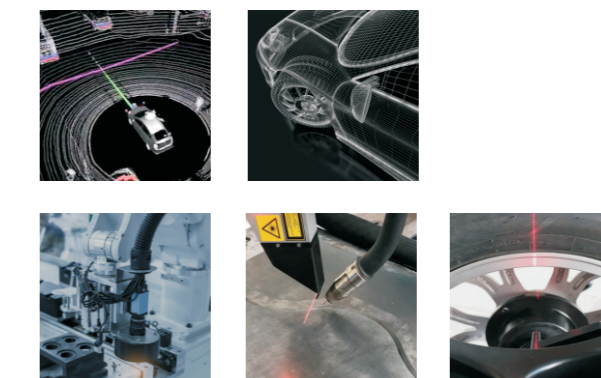
- Machine Vision
- 3D Scanning
- Defects Inspection
- Industrial Measurement

| Specification | Powell Lens | Special Lens |
|------------------------------------------------------------|---------------------------------------------------------------------------------------|---------------|
| Wavelength(nm) | 375, 405, 450, 488, 505, 520, 635, 650, 660, 685, 780, 808, 830, 850, 905, 940, 980nm | |
| Wavelength Tolerance(nm) | ±5.0nm | |
| Output Power(mW) | 10, 20, 30, 50, 80, 100, 150, 200, 400, 500, 800mW 1W, 3W, 5W, 8W, 10W, 20W, 25W | |
| Spatial Mode | Single Transverse Mode, Multi Transverse Mode | |
| Line Thickness at 1/e ² (Line Width/Beam Width) | 10µm@30mm, 20µm@50mm, 30µm@80mm, 40µm@100mm, 70µm@200mm, 100µm@300mm | |
| Fan Angles | 5°, 10°, 20°, 30°, 45°, 60°, 75°, 90° | |
| Straightness | ≤0.10% | |
| Uniformity | > 80% | |
| Laser Drive Modes | CW, Analog Modulation, Digital Modulation, Computer Control | |
| Operating Voltage | 5.0VDC, 9.0VDC, 12.0VDC | |
| Operating Current | 100~5000mA | |
| Input Impedance | > 1 kohl | |
| Beam Angle | < 3.0 mrad | |
| ESD Protection | Level4 | |
| Operating Temperature | -20°C to 60°C | |
| Storage Temperature | -40°C to 85°C | -30°C to 60°C |
| MTBF | > 10,000 hours | |

Share your ideas,
we will provide you the best solutions!

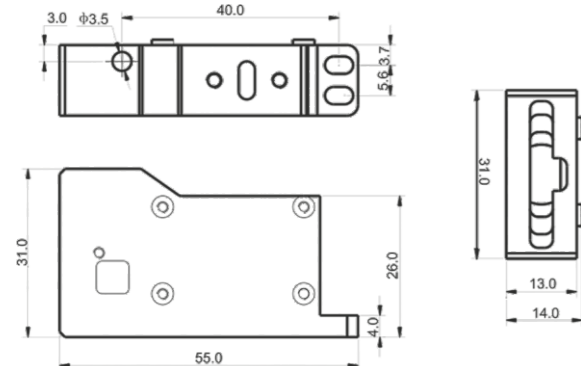
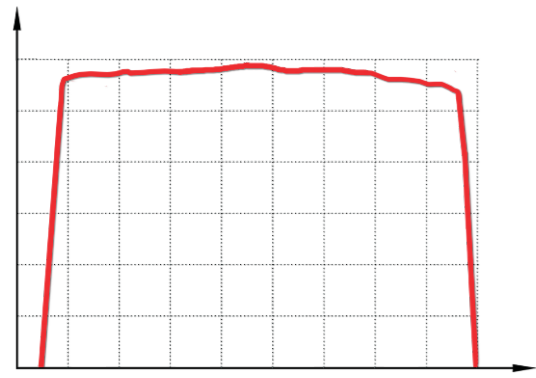
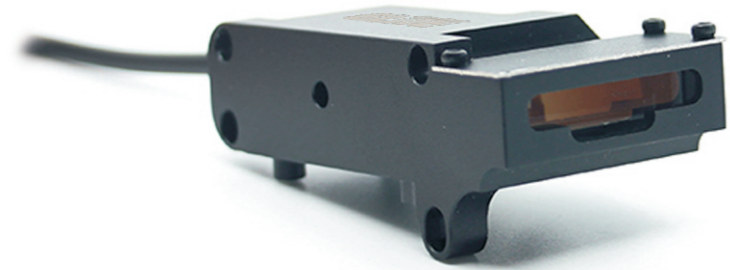
Uniform Line Laser Module

Machine Vision 3D Scanning Industrial Inspection



Exclusive Patent Special Lens Uniform Line Laser

Elite "Special Lens" Uniform Line Laser is an Exclusive Patent, with better line thickness and intensity, solves "brightspots" at both ends of the laser line. The sharpness and resolution of scanning can be significantly improved. "Special Lens" Uniform Line Laser can be extensively used in Machine Vision, 3D Scanning, and Industrial Inspection.



“ Uniformity >80% ”

Application

- Machine Vision
- 3D Scanning
- AGV Robot
- Industrial Inspection

Wavelength

- 405nm 450nm
- 488nm 505nm
- 635nm 650nm
- 660nm 685nm
- 785nm 808nm
- 830nm 850nm

Powell Lens Line Laser

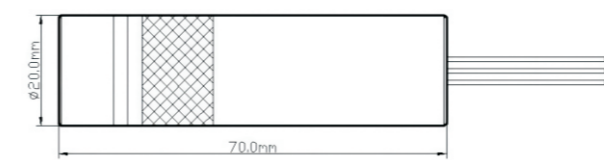
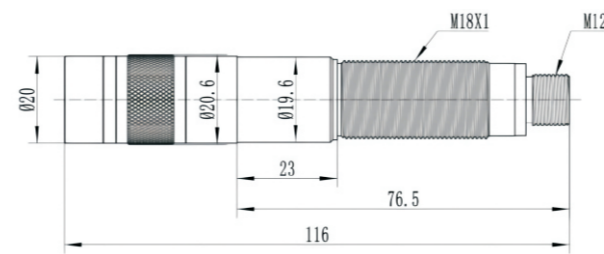
"Powell Lens", providing uniform line thickness and intensity, is the standard line laser solution in the market. With specifications customized service available and more than 300 different Powell Lenses, Elite can satisfy all the needs of various applications.

Feature

- High uniform intensity
- Power up to 500mW
- Digital and Analog Modulation
- User Focusable

Line Thickness (1/e²)

- 10μm@30mm
- 20μm@50mm
- 30μm@80mm
- 40μm@100mm
- 70μm@200mm
- 100μm@300mm



Large Power Uniform Line Laser

Large Power Uniform Line Laser, with focusable design, power up to 25W has the high power stability. This laser module can be widely used in high-precision industrial scanning and measurement fields. Working temperature range -10°C~+40°C, electrostatic and over heating protection, Large Power Uniform Line Laser is the best choice for harsh environmental applications.

| Wavelength | Output Power |
|-----------------|--------------|
| 450nm | 1W~3W |
| 520nm | 1W |
| 808, 940, 980nm | 5W~10W |
| 808, 940, 980nm | 15W~25W |

