

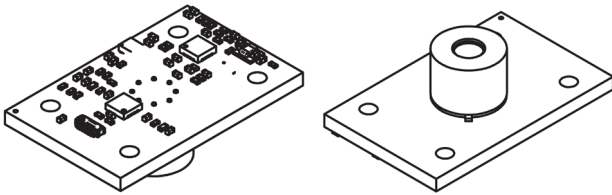
SAMPLE PRODUCT – ALL PARAMETERS SUBJECT TO CHANGE

FEATURES

- Spectral range: 2.5 to 5.7 μm ¹**
- Optical area: 1x1mm**
- Built-in temperature controller**
- Pin configurable chip temperature**
- Low 1/f noise corner: 50 Hz²**
- Bandwidth: DC to 3MHz² or DC to 6MHz³**
- Single, low voltage power supply: 3.3V**
- Differential output**
- Small board to board connector**
- Small dimensions: 30x19x10mm**

APPLICATIONS

- Gas detectors with MEMS, LED or laser sources**
- Temperature sensors**
- Embedded systems**
- Portable devices**



GENERAL DESCRIPTION

The AMS3140-01 is a cost effective infrared detection module designed for high volume applications. Built-in amplifier and temperature controller provide constant responsivity over wide range of ambient temperatures. Wide bandwidth and low 1/f noise corner provide efficient measurements with generally available sources of radiation, including MEMS heaters and pulsed LEDs or lasers. With differential output the AMS3140-01 offers easy connectivity over tiny and low cost connectors with high immunity to electromagnetic interference. Small dimensions provide easy mechanical and thermal integration with the target device. Planar silicon window with anti-reflection coating facilitates applications with narrow-band IR sources.

TABLE OF CONTENTS

Features..... 1

Applications 1

General description..... 1

Table of contents 1

Revision history..... 1

Connectivity 2

Absolute maximum ratings 2

Specifications 3

Typical performance characteristics 5

Power supply..... 6

Temperature control..... 6

Thermal design 7

Signal outputs..... 8

Mechanical requirements 9

Mechanical drawings..... 10

REVISION HISTORY

- 22/01/01 – Rev.0: Initial Version
- 22/02/03 – Rev.1: Additional optical parameters specified
- 22/02/11 – Rev.2: Mechanical drawings updated

¹ Responsivity is higher than 10% of peak value within this range for chip temperature 20°C
² Measured for chip temperature 20°C
³ Measured for chip temperature -20°C

CONNECTIVITY

AMS3140-01 features tiny connector with 14 signal pins and 2 high current pins. Recommended mating connector is *Amphenol 101R014FB110*. Please refer to chapter Mechanical requirements for more information. Description of pins and pin ordering are shown in figures below and in the following table.

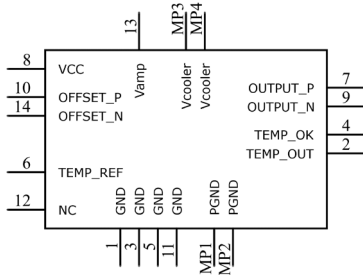
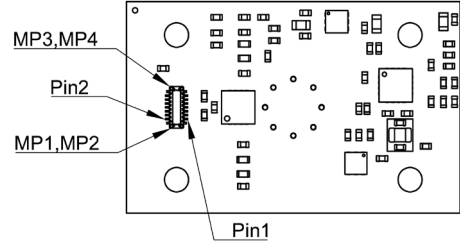


Table 1. Pin functions

| Pin no. | Pin name | Description |
|-------------|---------------------|--|
| 1, 3, 5, 11 | GND | Signal and amplifier supply ground |
| 7 | OUTPUT_P | Positive signal output |
| 9 | OUTPUT_N | Negative signal output |
| 12 | NC | Not used. Leave floating |
| 2 | TEMP_OUT | Analog temperature output. For more information see chapter Thermal design |
| 4 | TEMP_OK | Comparator output signal. Set to high when temperature of the chip is close to desired value. For more information see chapter Thermal design |
| 6 | TEMP_REF | Temperature reference voltage. Can be used to change temperature of the chip. For more information see chapter Thermal design |
| 13 | V _{amp} | Amplifier supply input |
| 8 | V _{cc} | Internal supply voltage output. Use only to set DC offset voltage using OFFSET_P and OFFSET_N. For more information see chapter Signal outputs. Do not use for any other purpose |
| 10 | OFFSET_P | DC offset for positive signal output. Leave floating if no output offset is required. Connect directly to V _{amp} to introduce maximum possible DC offset. Optional resistor can be used if lower value of DC offset is required. For more information see chapter Signal outputs |
| 14 | OFFSET_N | DC offset for negative signal output. Leave floating if no output offset is required. Connect directly to GND to introduce maximum possible DC offset. Optional resistor can be used if lower value of DC offset is required |
| MP3, MP4 | V _{cooler} | Supply voltage input for temperature controller. Can be connected to V _{amp} . For more information see chapter Power supply |
| MP1, MP2 | PGND | Ground path for temperature controller. Connect to GND |

ABSOLUTE MAXIMUM RATINGS

Do not stress device above the limits specified in this chapter since it may cause permanent damage to the device.

Table 2. Absolute maximum ratings

| Parameter | Rating |
|--|----------------------------------|
| Amplifier supply, V _{amp} | 5V |
| Temperature controller supply, V _{cooler} | 5V |
| TEMP_REF voltage | -0.1V to 3.1V |
| OFFSET_N and OFFSET_P voltage | -0.1V to 3.1V |
| Operating ambient temperature | -40°C to + 65 °C, non-condensing |
| Storage temperature | -50°C to + 85 °C |

SPECIFICATIONS

+3.3V supply, $T_{amb}=20^{\circ}\text{C}$, $R_L=1\text{M}\Omega$ to ground, unless otherwise noted

Table 3. Module specifications for chip temperature -20°C

| Parameter | Test Conditions/Comments | Min | Typ | Max | Unit |
|--|--|-----|----------|-----|--------------------------------------|
| SPECTRAL CHARACTERISTIC | | | | | |
| Peak Responsivity | | | 400 | | V/W |
| Cut-on wavelength | At 10% percent of peak responsivity | | 2.35 | | μm |
| Cut-off wavelength | At 10% percent of peak responsivity | | 5.4 | | μm |
| Peak wavelength | | | 4.3 | | μm |
| Peak detectivity | $f=1\text{kHz}$ | | $2*10^9$ | | $\text{cm}\sqrt{\text{Hz}}/\text{W}$ |
| OPTICAL | | | | | |
| Active area width | | | 1 | | mm |
| Active area length | | | 1 | | mm |
| Acceptance angle, Φ | | 54 | 58 | 62 | deg |
| OUTPUT PERFORMANCE | | | | | |
| Output differential offset | No radiation, OFFSET_P and OFFSET_N floating | -5 | | 20 | mV |
| Output single-ended common mode voltage, V_{CM} | OFFSET_P and OFFSET_N floating | | 1.22 | | V |
| Output single-ended common mode voltage | OFFSET_P and OFFSET_N floating , $R_L=50\Omega$ | | 0.61 | | V |
| Output impedance, R_{OUT} | OUTPUT_P and OUTPUT_N, single-ended | | 50 | | Ω |
| Output voltage swing, negative | OUTPUT_P and OUTPUT_N, single-ended | | 0.2 | | V |
| Output voltage swing, positive | OUTPUT_P and OUTPUT_N, single-ended | | 2.8 | | V |
| High cut-off frequency, f_H | $R_L=50\Omega$ | | 6.1 | | MHz |
| POWER SUPPLY | | | | | |
| Supply current on V_{CC} and GND pins | | | 50 | | mA |
| Supply current on V_{cooler} and PGND pins | | | 550 | | mA |
| THERMAL | | | | | |
| Thermal resistance, θ_{T-S} | Hot side of built-in TEC to cooling surface of the module | | 10 | | K/W |
| Thermal power, P_{cool} | Dissipated through heatsink | | 1.2 | | W |
| Maximum temperature difference, ΔT_{max} | Provided by built-in TEC cooler | | 60 | | $^{\circ}\text{C}$ |
| Area of cooling surface, S_C | Board surface which can be used to transfer heat to the heatsink | | 450 | | mm^2 |
| OTHER | | | | | |
| TEMP_REF voltage | When left floating | | 1.54 | | V |
| TEMP_REF input resistance | | | 17 | | k Ω |
| OFFSET_N and OFFSET_P input resistance, R_{OFFSET} | | | 3.3 | | k Ω |
| OFFSET_N and OFFSET_P input capacitance | | | 100 | | nF |
| V_{CC} | | | 3.0 | | V |
| TEMP_OK current | Sourcing/sinking | | | 0.1 | mA |
| TEMP_OK high voltage | | 2.7 | | | V |
| TEMP_OK low voltage | | | | 0.3 | V |

+3.3V supply, $T_{amb}=20^{\circ}\text{C}$, $R_L=1\text{M}\Omega$ to ground, unless otherwise noted

Table 4. Module specifications for chip temperature +20°C

| Parameter | Test Conditions/Comments | Min | Typ | Max | Unit |
|--|--|-----|----------------|-----|--------------------------------------|
| SPECTRAL CHARACTERISTIC | | | | | |
| Peak Responsivity | | | 360 | | V/W |
| Cut-on wavelength | At 10% percent of peak responsivity | | 2.4 | | μm |
| Cut-off wavelength | At 10% percent of peak responsivity | | 5.7 | | μm |
| Peak wavelength | | | 4.4 | | μm |
| Peak detectivity | $f=1\text{kHz}$ | | $5 \cdot 10^8$ | | $\text{cm}\sqrt{\text{Hz}}/\text{W}$ |
| OPTICAL | | | | | |
| Optical area width | | | 1 | | mm |
| Optical area length | | | 1 | | mm |
| Acceptance angle, Φ | | 54 | 58 | 62 | deg |
| OUTPUT PERFORMANCE | | | | | |
| Output differential offset | No radiation, OFFSET_P and OFFSET_N floating | -5 | | 5 | mV |
| Output single-ended common mode voltage, V_{CM} | | | 1.22 | | V |
| Output single-ended common mode voltage | $R_L=50\Omega$ (to GND) | | 0.61 | | V |
| Output impedance, R_{OUT} | OUTPUT_P and OUTPUT_N, single-ended | | 50 | | Ω |
| Output voltage swing, negative | OUTPUT_P and OUTPUT_N, single-ended | | 0.2 | | V |
| Output voltage swing, positive | OUTPUT_P and OUTPUT_N, single-ended | | 2.8 | | V |
| High cut-off frequency, f_H | $R_L=50\Omega$ | | 3 | | MHz |
| POWER SUPPLY | | | | | |
| Supply current on V_{CC} and GND pins | | | 50 | | mA |
| Supply current on V_{cooler} and PGND pins | | | 20 | | mA |
| THERMAL | | | | | |
| Thermal resistance, θ_{T-S} | Hot side of built-in TEC to cooling surface of the module | | 10 | | K/W |
| Thermal power, P_{cool} | Dissipated through heatsink | | 0.1 | | W |
| Maximum temperature difference, ΔT_{max} | Provided by built-in TEC cooler | | 60 | | $^{\circ}\text{C}$ |
| Area of cooling surface, S_C | Board surface which can be used to transfer heat to the heatsink | | 450 | | mm^2 |
| OTHER | | | | | |
| TEMP_REF voltage | When left floating | | 1.54 | | V |
| TEMP_REF input resistance | | | 17 | | k Ω |
| OFFSET_N and OFFSET_P input resistance, R_{OFFSET} | | | 3.3 | | k Ω |
| OFFSET_N and OFFSET_P input capacitance | | | 100 | | nF |
| V_{CC} | | | 3.0 | | V |
| TEMP_OK current | Sourcing/sinking | | | 0.1 | mA |
| TEMP_OK high voltage | | 2.7 | | | V |
| TEMP_OK low voltage | | | | 0.3 | V |

TYPICAL PERFORMANCE CHARACTERISTICS

+3.3V supply, $T_{amb}=20^{\circ}\text{C}$, $R_L=1\text{M}\Omega$ to ground, unless otherwise noted

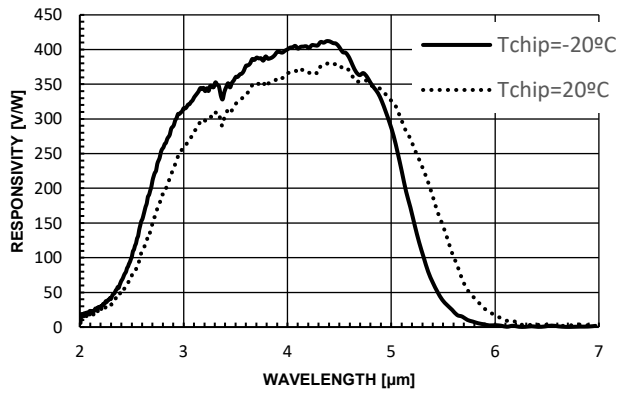


Figure 4. Spectral characteristics for different temperatures of detection chip

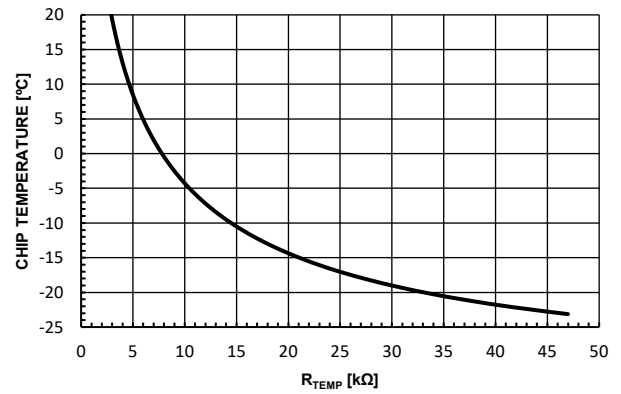


Figure 5. Detection chip temperature vs resistance connected to TEMP_REF pin (see figure 11)

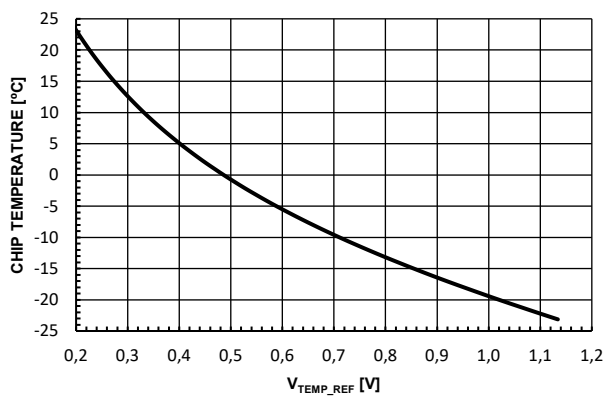


Figure 6. Detection chip temperature vs voltages on TEMP_REF and TEMP_OUT pins (see figure 12)

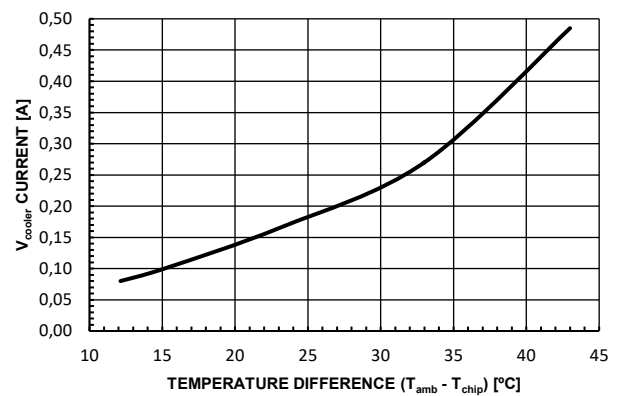


Figure 7. Supply current vs temperature difference between detection chip and ambient. Thermal resistance of attached heatsink: 2.5K/W

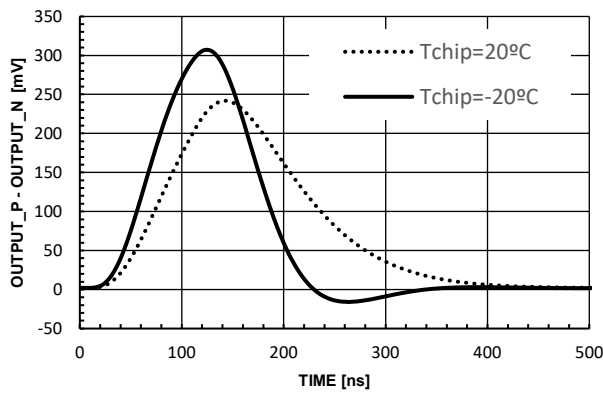


Figure 8. Pulse response for different temperatures of detection chip, $R_L=50\Omega$

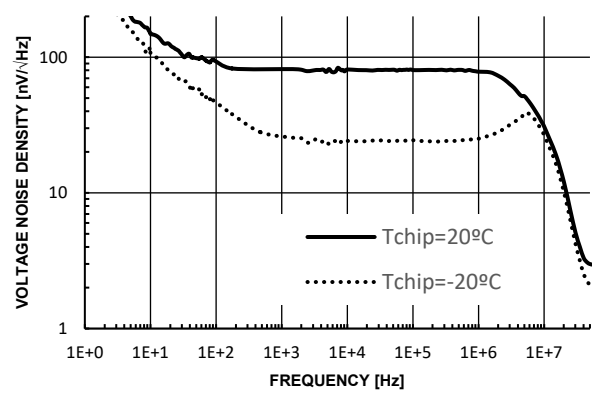


Figure 9. Differential output noise density for different temperatures of detection chip

POWER SUPPLY

The module can be powered from a single voltage source, but special care is required to avoid interference between the amplifier circuit and the temperature controller circuit.

There are two supply paths present on the socket: V_{amp}/GND and $V_{cooler}/PGND$. V_{amp}/GND are used to supply the amplifier circuit. A 1uF capacitor should be placed close to the module's connector. $V_{cooler}/PGND$ pins are used to supply the built-in thermoelectric cooler (TEC) and require additional 1uF decoupling capacitor. The simplified supply pattern is presented in the following figure.

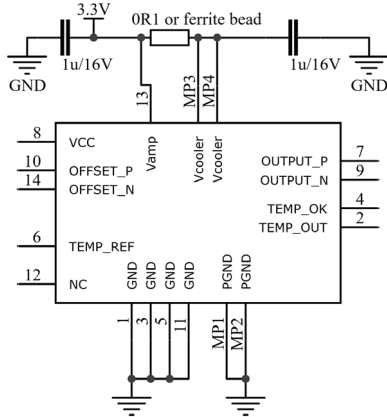


Figure 10. Recommended power supply decoupling

In some applications built-in temperature controller can influence the output signal. The following methods can be used to reduce interference between temperature controller and output signal:

1. Separate power supplies with EMI ferrite.
2. Add a common mode filter on the $V_{cooler}/PGND$ to separate it from V_{amp}/GND .
3. Add a common mode filter on differential signal output.
4. Add a small resistor (0.1Ω) on V_{cooler} supply.

The choice of proper solution depends on the nature of interference and has to be considered individually for each design.

TEMPERATURE CONTROL

The module has built-in thermoelectrical cooler and provides easy pin-configurable temperature adjustment with a single resistor, external voltage source or DAC output.

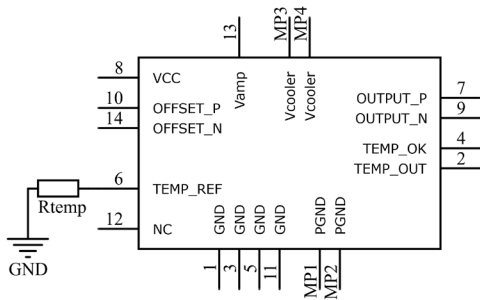


Figure 11. Adjusting chip temperature with single resistor

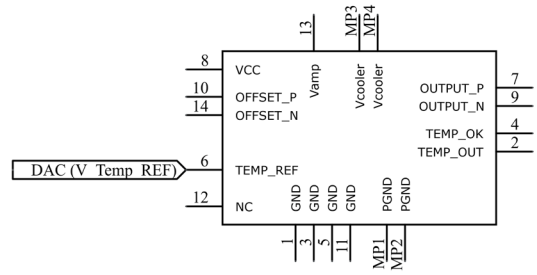


Figure 12. Adjusting chip temperature with external digital-to-analog converter

The module provides constant responsivity only when the chip temperature is stable. After powering on the module the built-in temperature controller starts the cooling process. Before the controller reaches its stable point, parameters of the module (i.e. voltage responsivity) should be considered unknown. There are couple approaches to deal with this issue:

1. Time based. In most of applications chip will reach desired temperature in less than 5 seconds. Therefore V_{amp} and V_{cooler} should be enabled 5 seconds before first measurement.
2. Comparator + time based. TEMP_OK is a simple comparator output that will be asserted high when chip temperature is close to or lower than desired. Make sure that TEMP_OK is kept high for at least 1 second before first measurement.
3. ADC based. TEMP_OUT provides voltage related to current temperature of the chip. In steady state TEMP_OUT and TEMP_REF should be equal. As before, make sure that TEMP_OUT and TEMP_REF are close enough for at least 1 second.

Only 3rd method is a fully-featured solution that can detect unpredicted situations when the system is operating (i.e. decreasing performance of thermal interface material). However it requires additional ADC what has some impact on the price of the final device. Therefore, pricewise, 1st and 2nd method can be considered as simplified solutions.

There is also a fully analog solution for 3rd method, which is presented in figure 13. U1B buffers voltage from TEMP_REF pin. R1-R2-R3-R4 shift the potential a little up (R1-R2) and down (R3-R4) to define the borders of window. U1C asserts output if TEMP_REF pin is too high, and U1D asserts output if TEMP_OUT pin voltage is to low, compared to shifted potentials.

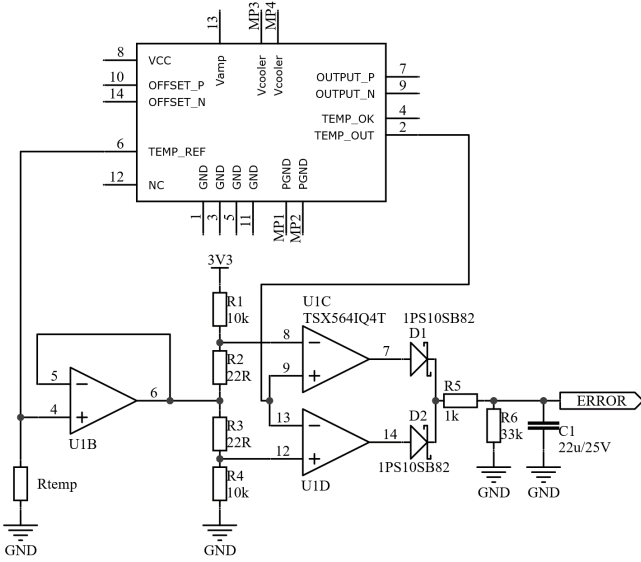


Figure 13. Example of analog window detector to monitor temperature of the detection chip

THERMAL DESIGN

There are two sources of heat that needs to be separately considered. First is the TEC cooler mounted inside of the detector. It is strongly coupled to the surrounding cooling surface on top of the PCB and requires external heat-sink. Example is presented in the following figure.



Figure 14. Cross-section of example application with attached heatsink

The heatsink is not provided with the module. Its size and required performance depends on application and target price of final device.

Second source of heat are electronic components on the bottom of the PCB. For applications with high cooling power it is recommended to leave bottom side of the module uncovered. Example of such solution is presented in the figure 21.

The simplified thermal model for application presented in figure 14 is presented on the following figure.

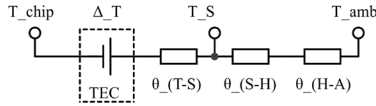


Figure 15. Simplified thermal model for a typical application consisting of AMS module (TEC + θ_{T-S}), thermal interface material (θ_{S-H}) and heatsink (θ_{H-A}). T_{chip} is temperature of detection chip, T_S is temperature of the cooling surface, T_{amb} is ambient temperature

The lowest possible chip temperature can be calculated as:

$$T_{chip} = T_{amb} + P_{cool} * (\theta_{H-A} + \theta_{S-H} + \theta_{T-S}) - \Delta T_{max} \quad (1)$$

where:

- T_{chip} is the temperature of detection chip
- T_{amb} is ambient temperature
- P_{cool} is thermal power dissipated through cooling surface
- θ_{H-A} is the thermal resistance between heatsink and air

- θ_{S-H} is the thermal resistance between cooling surface and heatsink
- θ_{T-S} is the thermal resistance between hot side of built-in TEC cooler and cooling surface of the module
- ΔT_{max} is maximum temperature difference which can be generated by built-in TEC cooler

θ_{S-H} depends mainly on used thermal interface material or grease and can be calculated using the following formula:

$$\theta_{S-H} = \frac{t}{\lambda * S_c} * K_f \quad (2)$$

where:

- t is thickness of the thermal interface material
- λ is the thermal conductivity of the thermal interface material
- S_c is the area of cooling surface
- K_f is correction factor due to non-uniform heat transfer through the cooling surface, typically equal to 2.0

Example 1:

The module will be mounted on a passive heatsink.

- Range of ambient temperatures: $T_{amb}=0^{\circ}\text{C}$ to 30°C
- Chosen temperature of detection chip: $T_{chip}=-5^{\circ}\text{C}$
- Thermal conductivity of grease: $1 \frac{W}{m \cdot K}$
- Grease thickness: 0.1mm
- Unknown: required thermal resistance of heatsink (θ_{H-A})

Using equations (1) and (2) thermal resistance of heatsink can be expressed as:

$$\theta_{H-A} = \frac{T_{chip} + \Delta T_{max} - T_{amb}}{P_{cool}} - \theta_{S-H} - \theta_{T-S} \quad (3)$$

In this example thermal grease θ_{S-H} can be calculated as follows:

$$\theta_{S-H} = \frac{1 * 10^{-4}m}{1 \frac{W}{m \cdot K} * 450 * 10^{-6}m^2} * 2 = 0.44 \frac{K}{W} \quad (4)$$

Worst case scenario is the highest possible ambient temperature, which in this example is 30°C , what yields:

$$\theta_{H-A} = \frac{-5^{\circ}\text{C} + 60^{\circ}\text{C} - 30^{\circ}\text{C}}{1.2W} - 0.44 \frac{K}{W} - 10 \frac{K}{W} = 10.39 \frac{K}{W} \quad (5)$$

Heatsink with thermal resistance not worse than $10.39K/W$ will be sufficient to provide thermal stability of the AMS3140-01 module.

Example 2:

The module will be mounted on an active cooled metal rail with constant temperature and very good cooling capacity.

- Temperature of cooling rail: 10°C
- Thermal conductivity of grease: $1 \frac{W}{m \cdot K}$
- Grease thickness: 0.1mm
- Unknown: Best available temperature of detection chip

Grease parameters are identical with previous example, therefore thermal resistance of the interface between the module and the cooling rail is already calculated in (4). θ_{H-A} equals zero, since the cooling rail has infinite performance. Using equations (1) and (2) the best available temperature of the detection chip can be calculated as:

$$T_{chip} = 10^{\circ}\text{C} + 1.2\text{W} * \left(0 + 0.44 \frac{\text{K}}{\text{W}} + 10 \frac{\text{K}}{\text{W}}\right) - 60^{\circ}\text{C} \approx -37^{\circ}\text{C} \quad (6)$$

Conclusion:

Range of ambient temperatures where detection chip temperature is kept on a constant value depends strongly on heatsink parameters. The design of the final device requires a trade-off between price, size and performance. However it is also possible to keep small and cheap heatsink and extend the range of ambient temperatures introducing multiple ranges of ambient temperatures and changing the voltage of TEMP_REF (see figure 6) pin according to current conditions. The final device needs to be calibrated separately for each range of ambient temperatures. Example of this approach is presented in the following table. The values should be considered as an example only, since they depend on the heatsink parameters.

Table 5. Example ranges of ambient temperatures

| Ambient temperature [°C] | Chip temperature set by TEMP_REF pin [°C] |
|--------------------------|---|
| 30...50 | 25 |
| 15...35 | 10 |
| 0...20 | -5 |

In this example three ranges of ambient temperatures and three corresponding desired chip temperatures are presented. The voltage on the TEMP_REF pin should be adjusted according to ambient temperature with small hysteresis to avoid unwanted oscillations on the edges of the ranges. The relation between TEMP_REF voltage and chip temperature is presented on figure 6.

SIGNAL OUTPUTS

Output signals paths or wires have to be as short as possible and placed close to each other to minimize loop area formed by them and therefore reduce EMI interference.

The impedance of both outputs is fixed to 50Ω. If fast pulsed source of radiation is used and the shape of the rising or falling slope is important, both outputs should be terminated with 50Ω to GND. In this case please use precise resistors with tolerance not worse than 0.1% to keep the signal path symmetrical. Termination pattern is presented in the following figure.

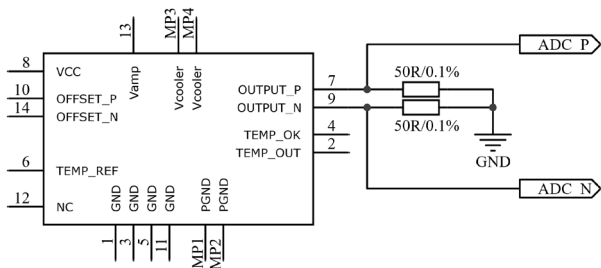


Figure 16. Outputs termination for high speed signals

However, in most typical applications signal termination is not necessary. Provided slowly changing radiation sources are

used and/or signal paths are short, outputs may be left unterminated. Connecting outputs to high impedance has one additional benefit: bigger dynamic range of output voltages, since common-mode voltage is bigger for unterminated outputs.

The module is designed to keep the DC output offset to as low value as possible. However in some applications (i.e. direct connection to differential ADC) it may be beneficial to introduce some known value to the DC component. This can be done by connecting OFFSET_P pin to V_{cc} and OFFSET_N pin to GND.

This approach can be used to match full scale of differential ADC. If lower offset is required additional resistors may be used, according to the following figure.

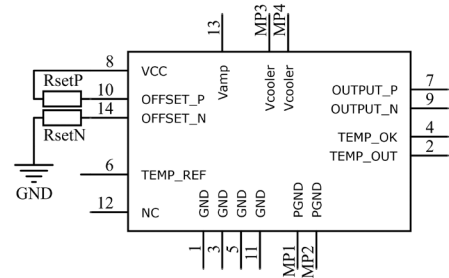


Figure 17. Adjusting differential offset of outputs using two resistors. RsetP and RsetN can be set to 0Ω for maximum available offset

Connecting OFFSET_P to V_{cc} (using resistor or short-circuit) will lower DC component on OUTPUT_P, while connecting OFFSET_N to GND will rise DC component on OUTPUT_N. If R_{setP} and R_{setN} represent non-zero values, please use thin film resistors to avoid additional flicker noise.

For high impedance loads the impact of R_{setP} and R_{setN} on the outputs can be calculated using the following formulas:

$$V_{DC_OUTPUT_P} = V_{CM} - \frac{(V_{CC} - V_{CM})}{R_{OFFSET} + R_{setP}} * 1800\Omega \quad (7)$$

$$V_{DC_OUTPUT_N} = V_{CM} + \frac{V_{CM}}{R_{OFFSET} + R_{setN}} * 1800\Omega \quad (8)$$

For matched impedance loads the values calculated with the formula should be divided by 2.

In most applications additional voltage amplifier will be necessary. The following figure shows one of the possible solutions.

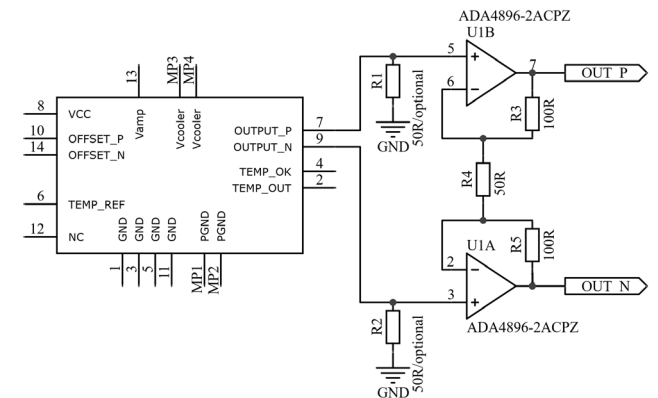


Figure 18. Example differential voltage amplifier with gain=5 and DC coupling. R1/R2 are not required for slowly changing signals

This topology of amplifier is a “simplified instrumentation amplifier”. It “copies” common mode voltage from input to

output and amplifies only the differential component. Changing the common mode voltage to another value is possible using a fully differential amplifier such as LTC6404-1 or LTC6409. Regardless of the chosen solution, please use precise resistors with tolerance not worse than 0.1% to keep the signal path symmetrical. R₁ and R₂ provide impedance match and can be omitted for slowly changing signals and/or short connection paths.

In most applications DC component does not provide any information and can be neglected. In such situations AC coupling is strongly recommended, since DC component depends on temperature of the chip as well as temperature of the surrounding environment. Example of AC coupling is presented in the following figure.

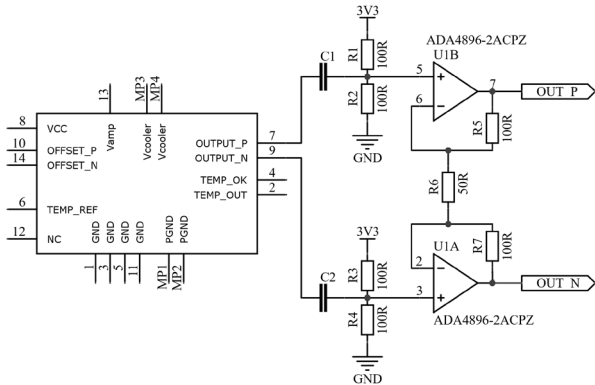


Figure 19. Example differential voltage amplifier with gain=5 and AC coupling

Choose the values of R₁, R₂, R₃ and R₄ to set the desired common mode voltage on OUT_N-OUT_P pair. Use low tolerances to keep differential DC component at low values.

Assuming symmetry of “positive” and “negative” paths (i.e. C₁=C₂, R₁=R₂, R₃=R₄), low cut-off frequency is equal to:

$$f_{low3dB} = \frac{1}{2\pi \left(R_{OUT} + \frac{R_1 * R_2}{R_1 + R_2} \right) C_1} \quad (9)$$

For example if C₁=C₂=10μF and R₁=R₂=R₃=R₄=100Ω then low cut-off frequency is equal to 159.15Hz.

In most applications setting low cut-off frequency to value 10 to 100 times lower than the lowest signal frequency is sufficient. This should not be a problem even for slow signals since impedance matching is not required in this case and therefore R₁, R₂, R₃ and R₄ can have high values.

MECHANICAL REQUIREMENTS

The module has to be mounted on a heatsink. Operations without heatsink are possible, however not recommended. All four holes have to be used to minimize mechanical stress and provide proper thermal connection between the module and the heatsink. If required, thermal grease or any thermal interface material can be used to improve heat transfer. Please consult chapter Thermal design for more information.

To minimize the risk of unexpected disconnection of the plug it needs to be fixed to the module using at least two mounting holes. Two connection types are recommended:

- Semi-flexible PCB. Receptacle *Amphenol 101R014FB110* has to be placed on the rigid part and the flexible part can be used to connect signals and power supplies to another PCB (figure 21)
- Direct board to board connection. All components on the module are not higher than 1mm, what enables direct stacking of PCBs using *Amphenol 101R014FB110* receptacle

In both cases distance between module and external PCB needs to be precisely fixed to 1mm to avoid stress on the connector. One of possible solutions are SMT spacers: Würth Elektronik 9774010943.

MECHANICAL DRAWINGS

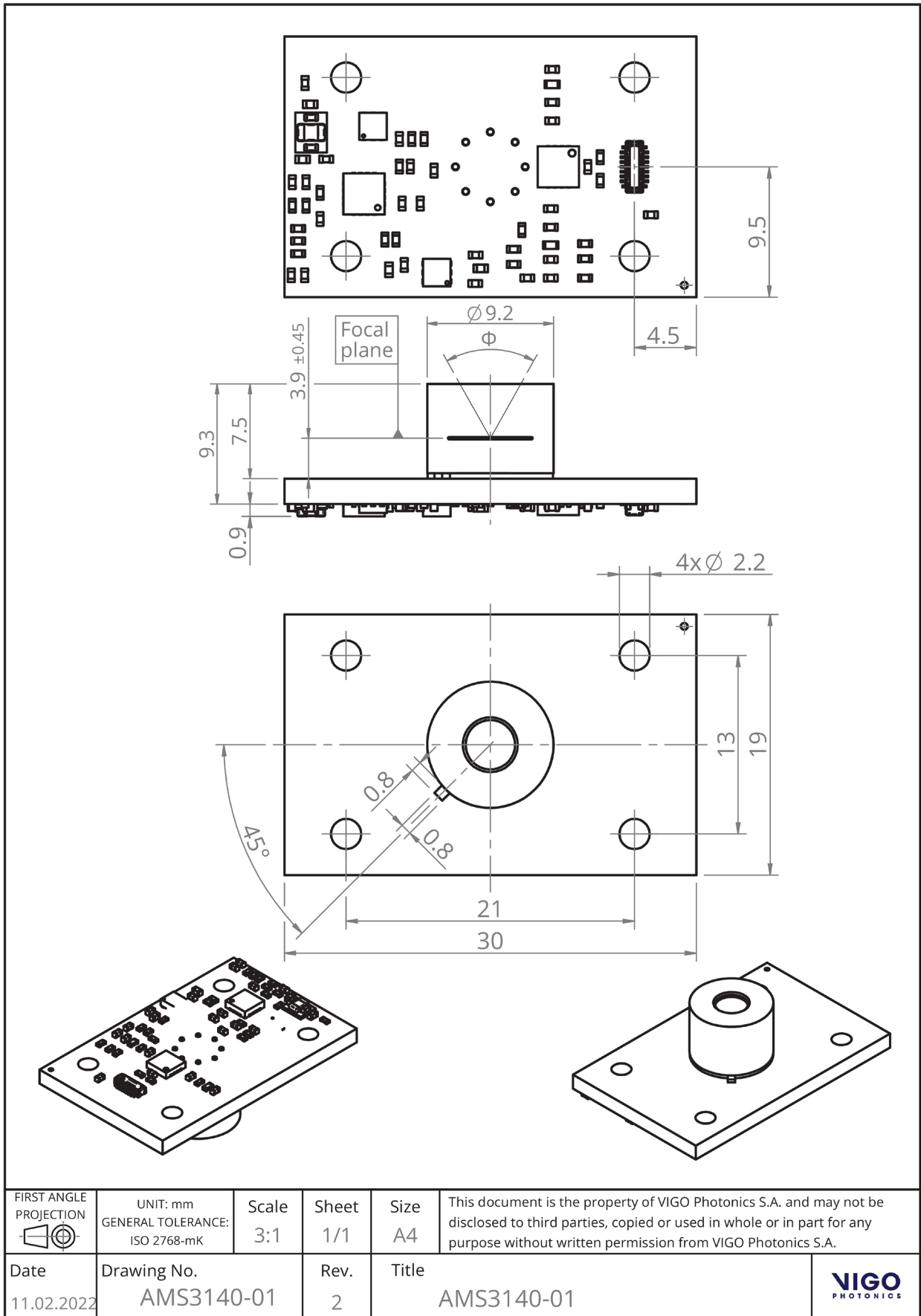
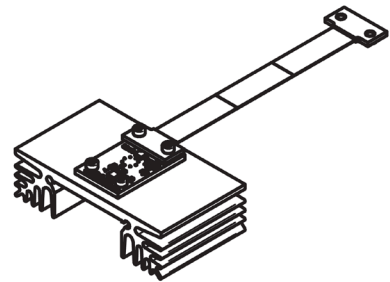
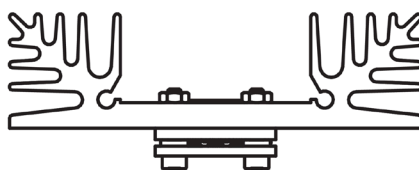
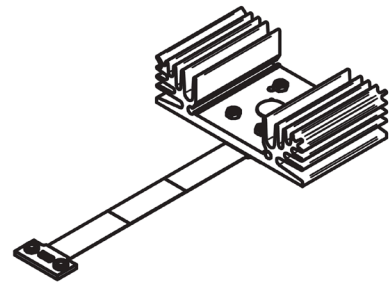
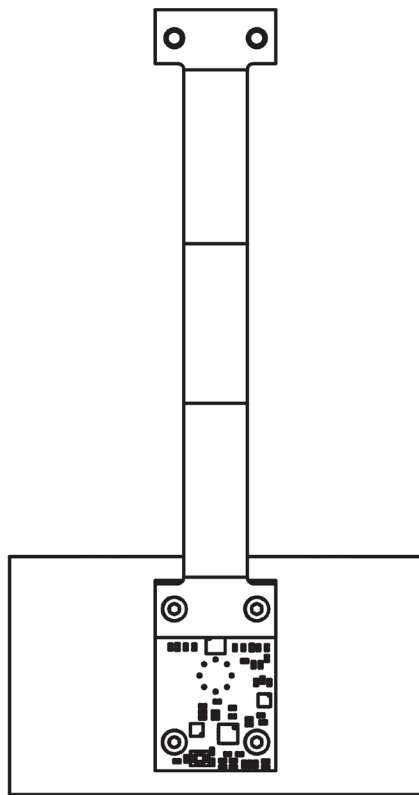


Figure 20. Mechanical dimensions





| | | | | | |
|--|---|--------------|--|------------|--|
| FIRST ANGLE PROJECTION  | UNIT: mm GENERAL TOLERANCE: ISO 2768-mK | Scale 5:1 | Sheet 1/1 | Size A4 | This document is the property of VIGO Photonics S.A. and may not be disclosed to third parties, copied or used in whole or in part for any purpose without written permission from VIGO Photonics S.A. |
| Date 29.12.2021 | Drawing No. Ex. flexible PCB 1 | Rev. 1 | Title Example application with flexible PCB | |  |

Figure 21. Example application with flexible PCB