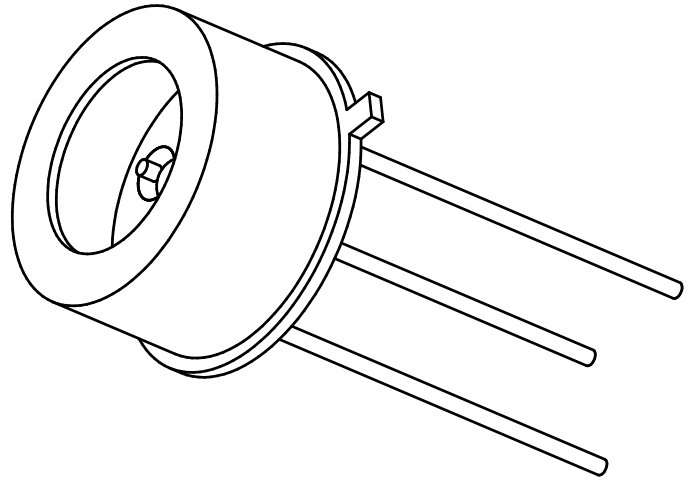
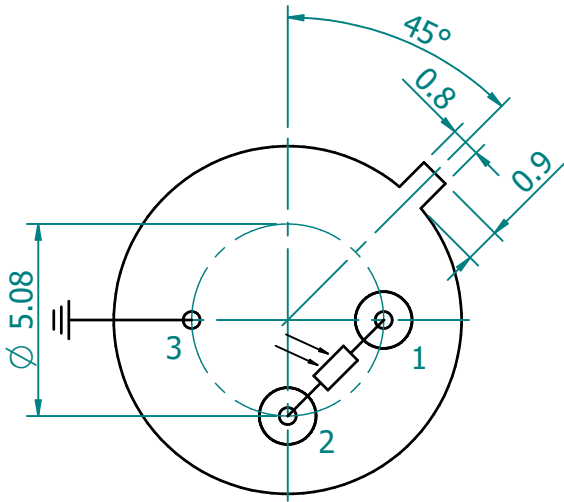
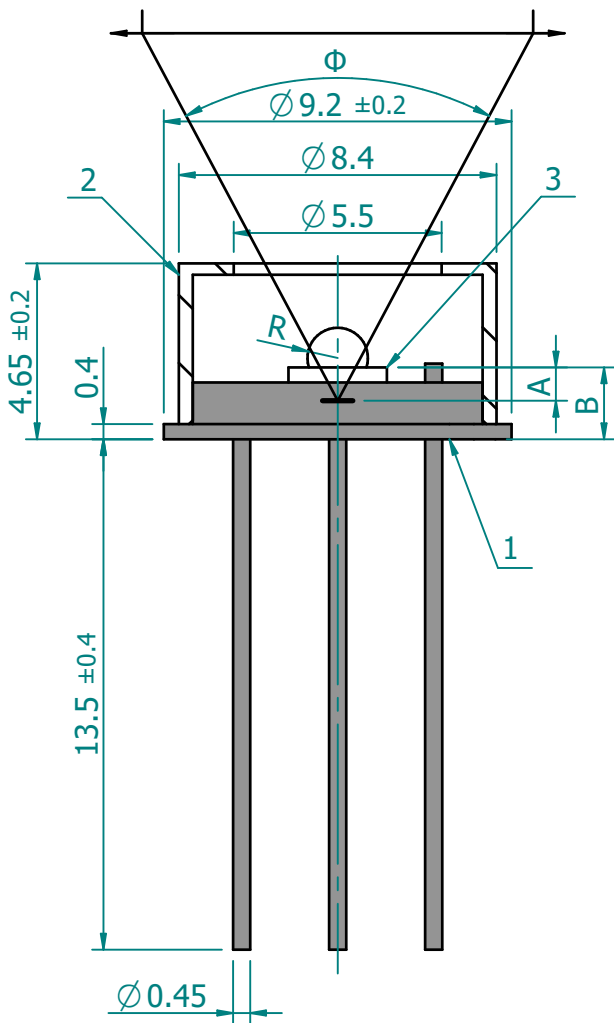


Bottom view



Pinout	
Detector	1 and 2
Chassis ground	3



Immersion lens shape	Hyperhemisphere			Without lens
Detector optical area [mm ²]	0.5x0.5	1x1	2x2	0.01x0.01 - 4x4
R [mm]	0.5	0.8	1.25	infinity
A [mm]	1.5±0.2	2.4±0.2	3.75±0.20	0
B [mm]	1.9±0.2	1.9±0.2	1.9±0.2	1.9±0.2
Acceptance angle Φ	~36°	~36°	~36°	~90°

3	Detector on sapphire pad	HgCdTe/InAs/InAsSb/GaAs/Sapphire
2	Detector cap	Brass
1	TO39 header	Gold plated Kovar
No.	Name	Material



UNIT: mm
GENERAL TOLERANCE:
ISO 2768-mK

Scale
5:1

Sheet
1/1

Size
A4

This document is the property of VIGO System S.A. and may not be disclosed to third parties, copied or used in whole or in part for any purpose without written permission from VIGO System S.A.

Date
23.09.2020

Drawing No.
ZWP-TO39-Z003

Rev.
3

Weight
3±1

Title
Photoconductive detector TO39

