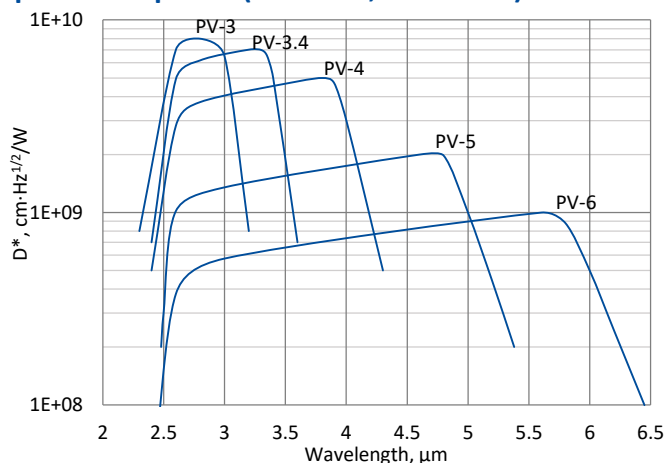


PV series

2.5 – 6.5 μm HgCdTe ambient temperature photovoltaic detectors

PV series features uncooled IR photovoltaic detectors based on sophisticated HgCdTe heterostructures for the best performance and stability. The devices are optimized for the maximum performance at λ_{opt} . Cut-on wavelength can be optimized upon request. Reverse bias may significantly increase response speed and dynamic range. It also results in improved performance at high frequencies, but 1/f noise that appears in biased devices may reduce performance at low frequencies.

Spectral response ($T_a = 20^\circ\text{C}$, $V_b = 0\text{ mV}$)

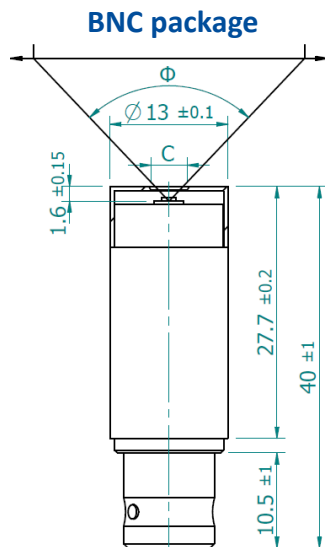


Exemplary spectral detectivity, the spectral response of delivered devices may differ.

Specification ($T_a = 20^\circ\text{C}$, $V_b = 0\text{ mV}$)

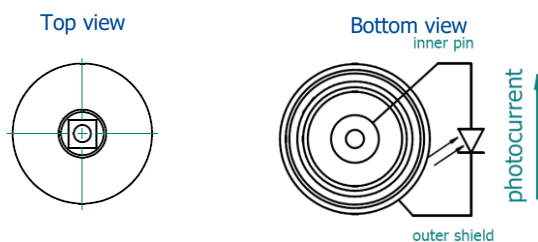
Parameter	Detector type									
	PV-3		PV-3.4		PV-4		PV-5		PV-6	
Active element material	epitaxial HgCdTe heterostructure									
Optimum wavelength λ_{opt} , μm	3.0		3.4		4.0		5.0		6.0	
Detectivity $D^*(\lambda_{\text{peak}})$, $\text{cm}\cdot\text{Hz}^{1/2}/\text{W}$	$\geq 8.0 \times 10^9$		$\geq 7.0 \times 10^9$		$\geq 5.0 \times 10^9$		$\geq 2.0 \times 10^9$		$\geq 1.0 \times 10^9$	
Detectivity $D^*(\lambda_{\text{opt}})$, $\text{cm}\cdot\text{Hz}^{1/2}/\text{W}$	$\geq 6.5 \times 10^9$		$\geq 5.0 \times 10^9$		$\geq 3.0 \times 10^9$		$\geq 1.0 \times 10^9$		$\geq 5.0 \times 10^8$	
Current responsivity $R_i(\lambda_{\text{opt}})$, A/W	≥ 0.5		≥ 0.8		≥ 1.0		≥ 1.0		≥ 1.0	
Time constant τ , ns	≤ 350		≤ 260		≤ 150		≤ 120		≤ 80	
Resistance-active area product $R \cdot A$, $\Omega \cdot \text{cm}^2$	≥ 1		≥ 0.5		≥ 0.1		≥ 0.01		≥ 0.002	
Active area A , $\text{mm} \times \text{mm}$	0.05 \times 0.05, 0.1 \times 0.1									
Package	TO39	BNC	TO39	BNC	TO39	BNC	TO39	BNC	TO39	BNC
Acceptance angle Φ	$\sim 90^\circ$	$\sim 102^\circ$	$\sim 90^\circ$	$\sim 102^\circ$	$\sim 90^\circ$	$\sim 102^\circ$	$\sim 90^\circ$	$\sim 102^\circ$	$\sim 90^\circ$	$\sim 102^\circ$
Window	none									

Mechanical layout, mm

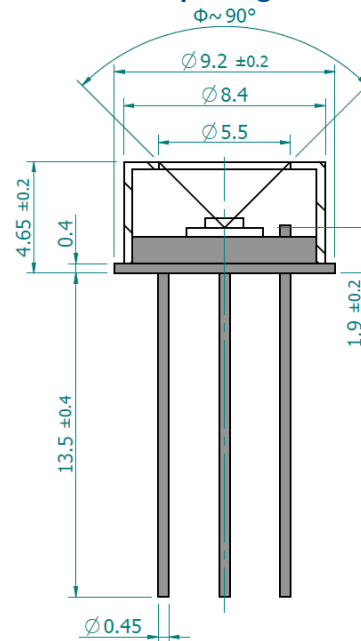


Parameter	Value
Active area, mm×mm	0.05×0.05 – 0.1×0.1
C, mm	Ø4
Acceptance angle Φ	~102°

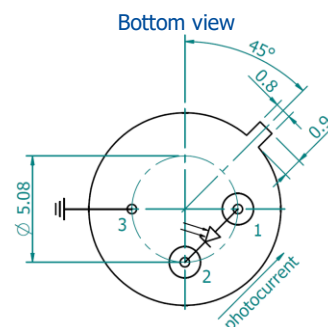
C – aperture



T039 package



Φ – acceptance angle



Function	Pin number
Detector	1, 2
Chassis ground	3

Dedicated preamplifier



small SIP-T039