

**Features**

- ▶ Typical wavelength, 855nm
- ▶ Stabilized optical power
- ▶ Single supply voltage, 5V DC
- ▶ Collimated or focused beam (adjustable)
- ▶ 3 elements optic structure (2 lenses fixed & 1 lens mobile)
- ▶ Wire length : 30cm(standard) or custom
- ▶ Laser class : 3R (IEC 60825-1:2007)

**Specification**

◆ **Optical (@RT)**

Items	Values	Unit
Optical output power	2.5±10%	mW
Peak wavelength	855±15	nm
Focused beam dia. (@FWHM)	<0.2 (@300mm)	mm
Collimated beam dia. (@FWHM)	<3x2(@10M)	mm
Collimated beam div.	<0.5	mrاد
Beam quality	TEM00, M <sup>2</sup> <1.5	
Beam intensity pattern	Gaussian	

◆ **Electrical (@RT)**

Items	Values	Unit
Operating voltage	5±5%	DC V
Operating current	40 (typ.)	mA
Drive circuit	APC	
Operating temp.	-10 ~ +50	°C
Storage Temp	-40 ~ +80	°C
LD Pin Connection	Case ground	

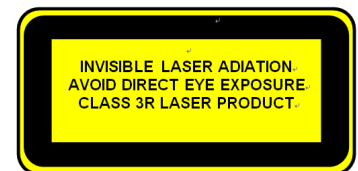
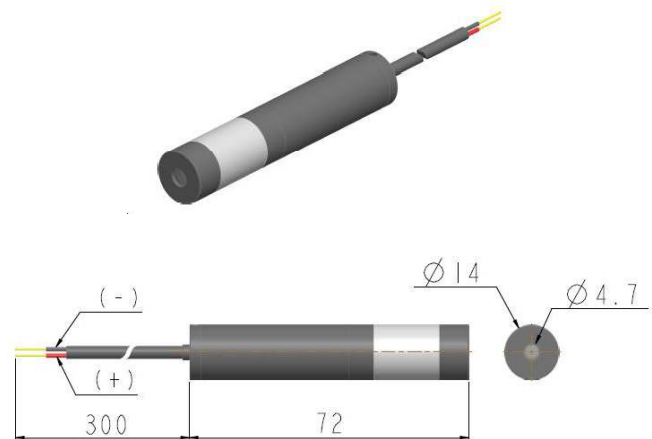
◆ **Mechanical**

Items	Values	Unit
Weight	22±1	g
Dimensions(mm)	Ø14*72	mm
Housing material	Aluminum	

**Description**

The LM-85xxMD series laser diode module combines laser diode technology, 3 elements optics and sophisticated electronics within a Slim and light aluminum anodized housing for variety of Applications. Specially, 3 lens structure compensates line beam's curve & unbalance and dot beam's accurate focused point. This series of modules provides a high-brightness elliptical laser beam, and have various wavelengths and optical output power. Applications include a measurement, positioning, lighting, alignment, guidelines, pointing, switching, leveling and machine vision etc. Useful in a variety of medical, industrial, and scientific instrumentation as well as general R&D work.

**Drawings**



- ◆ **Warranty : One-year**
- ◆ **Accessory : Bracket (Mount) & Power adaptor**

**Lanics Co., Ltd.**  
Room #703, 7F Woolim e-Biz Center  
170-5, Guro-dong, Guro-gu, Seoul, 152-050, Korea  
TEL : +82-2-2108-2255 FAX : +82-2-2108-2260  
E-mail : support@lanics.com  
http:// www.lanics.com