

Features

- ▶ Typical wavelength, 658nm
 - ▶ Stabilized optical power 60mW
 - ▶ Oil proof
 - ▶ Single supply voltage, 7~24V DC
 - ▶ **Line generator : Cylindrical glass lens**
 - ▶ Wire length : 30cm(standard) or custom
 - ▶ Laser class 3R (45°~90°), 3B (15°~30°) (IEC 60825-1)
- ◆ **Option : Bracket & Power supply.**

Specification

Optical

Optical power(mW)	60±5% (@RT)
LD power(mW)	80 (Max)
Peak wavelength(nm)	658 ±4
Collimated Beam Wid(mm)	<3 (at 10m)
Fan Angle (°)	10,15,30,45,60,90
Line Pattern	Accurate Straight
Beam intensity Pattern	Gaussian
LD Pin Connection	Case Ground

Electrical

Operating voltage(DC V)	7~24 ± 5%
Operating current(mA)	70 (Typ.)
Drive circuit	ACC
Operating Temp.(°C)	-10 ~ +60
Storage Temp.(°C)	-40 ~ +85

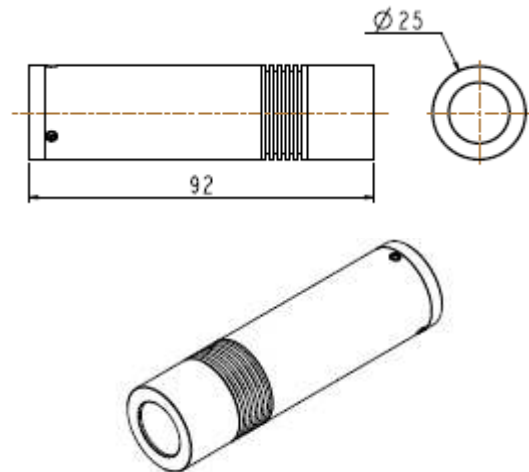
Mechanical

Weight(g)	40 ± 0.5
Dimensions(mm)	25Φ X 90
Operating lifetime(h)	30,000 (@RT)
Housing material	Aluminum

Application

Applications include a measurement, positioning, lighting, alignment, guidelines, pointing, switching, leveling, and machine vision etc. Useful in a variety of medical, industrial and scientific instrumentation as well as general R&D work.

Drawings



* Range of fan angle

Symbol	Angle	Line length [mm] (distance 1m)	
		Perpendicular	Inclined at45°
1D	15°	250	500
3D	30°	500	1200
4D	45°	830	2000
6D	60°	1160	3500
9D	90°	2000	About 5000

Lanics Co., Ltd.

Room #703, 7F Woolim e-Biz Center
170-5, Guro-dong, Guro-gu, Seoul, 152-050, Korea
TEL : +82-2-2108-2255 FAX : +82-2-2108-2260

E-mail : support@lanics.com
[http:// www.lanics.com](http://www.lanics.com)