

## Features

- ▶ Typical wavelength, 658nm
- ▶ Stabilized optical power 89mW
- ▶ Oil proof
- ▶ Single supply voltage, 7~24V DC
- ▶ **Line generator : Powell lens (non-gaussian lens)**
- ▶ Wire length : 30cm(standard) or custom
- ▶ Laser class : 3R,3B (IEC 60825-1)

◆ **Option : Bracket & Power supply.**

## Specification

### ● Optical

Optical power(mW)	89 (Tc=25°C)
LD power(mW)	120 (Max)
Wavelength(nm)	658 ±4
Collimated Beam Wid(mm)	<3 (at 10m)
Fan Angle ( ° )	30,45,60,90
Line Pattern	Accurate Straight
Beam Quality	TEM00
Beam intensity Pattern	Non-Gaussian
LD Pin Connection	Case Ground

### ● Electrical

Operating voltage(DC V)	7~24 ± 5%
Operating current(mA)	130 (Typ.)
Drive circuit	ACC
Operating Temp.(°C)	-10 ~ +60
Storage Temp.(°C)	-40 ~ +85

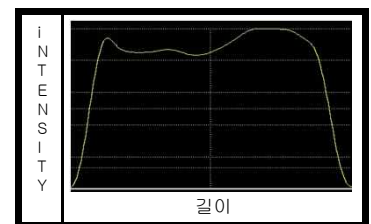
### ● Mechanical

Weight(g)	40 ± 0.5
Dimensions(mm)	25Φ X 95
Operating lifetime(h)	30,000 (@RT)
Housing material	Aluminum

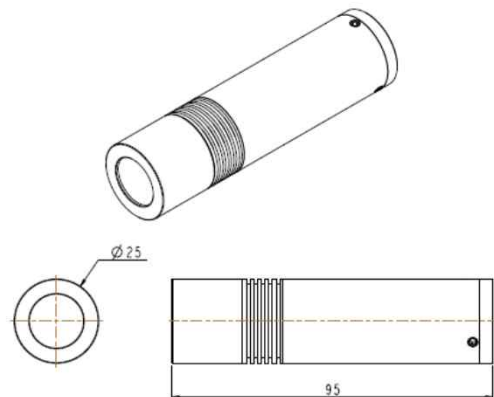
## Application

- Wood
- Stone
- Tire
- Textile and Garment

### ▶ Intensity Profile



## Drawings



### \* Range of fan angle

Symbol	Angle	Line length [ mm ] (distance 1m)	
		Perpendicular	Inclined at45°
3D	30°	500	1200
4D	45°	830	2000
6D	60°	1160	3500
9D	90°	2000	About 5000

### Lanics Co., Ltd.

Room #703, 7F Woolim e-Biz Center  
170-5, Guro-dong, Guro-gu, Seoul, 152-050, Korea  
TEL : +82-2-2108-2255 FAX : +82-2-2108-2260  
E-mail : support@lanics.com  
http:// www.lanics.com