

Features

- ▶ Typical wavelength, 635nm
- ▶ Stabilized optical power
- ▶ Line generator : Powell lens
- ▶ 3 elements optic structure (2 lenses fixed & 1 lens mobile)
- ▶ Supply voltage, 7~24V DC
- ▶ Wire length : 30cm(standard) or custom
- ▶ Laser class : (IEC 60825-1:2007)

Specification

● **Optical (@RT)**

Items	Values	Unit
Optical output power	2.5±10%	mW
Peak wavelength	635±5	nm
Collimated beam wid. (@FWHM)	<3 (@10M)	mm
Fan angle	15,30,45,60,90	°
Line pattern	Accurate straight	
Beam intensity pattern	Non-gaussian	

● **Electrical (@RT)**

Items	Values	Unit
Operating voltage	7~24±5%	DC V
Operating current	30 (typ.)	mA
Drive circuit	APC	
Operating temp.	-10 ~ +50	°C
Storage temp.	-40 ~ +85	°C
LD Pin Connection	Case Ground	

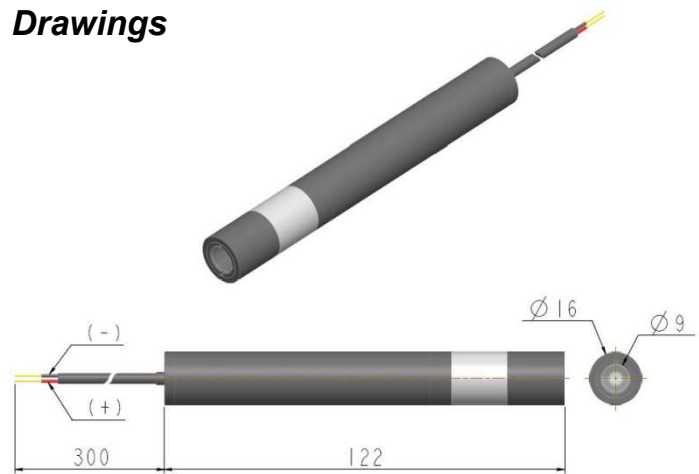
● **Mechanical**

Items	Values	Unit
Weight	40±1	g
Dimensions(mm)	Ø16*122	mm
Housing material	Aluminum	

Description

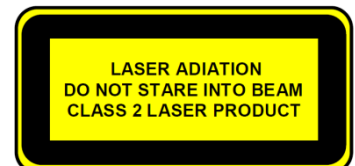
The GSN series laser diode module combines laser diode technology, 3 elements optics and sophisticated electronics within a slim and light aluminum anodized housing. This series apply to powell lens(non-gaussian lens). And provides a high-brightness laser line and have various wavelengths and Optical output power. Applications include a measurement, positioning, lighting, alignment, guidelines, pointing, switching, leveling and machine vision etc. Useful in a variety of medical, industrial. And scientific instrumentation as well as general R&D work.

Drawings



*** Range of fan angle**

Symbol	Angle	Line length [mm] (@ distance 1M)	Laser Class
LM-6305GSN1D	15°	250	3R
LM-6305GSN3D	30°	500	3R
LM-6305GSN4D	45°	830	2
LM-6305GSN6D	60°	1160	1
LM-6305GSN9D	90°	2000	1



- ◆ **Warranty : One-year**
- ◆ **Accessory : Bracket (Mount) & Power adaptor**

These specifications are subject to change without notice.

Lanics Co., Ltd.

Room #703, 7F Woolim e-Biz Center
170-5, Guro-dong, Guro-gu, Seoul, 152-050, Korea
TEL : +82-2-2108-2255 FAX : +82-2-2108-2260
E-mail : support@lanics.com
http:// www.lanics.com