

**Features**

- ▶ Typical wavelength, 635nm
- ▶ Stabilized optical power
- ▶ Attached deflection lens
- ▶ Adjustable beam according to distance
- ▶ Single supply voltage, 5V DC
- ▶ Low power consumption
- ▶ Wire length : 30cm(standard) or custom
- ▶ Built-in waterproof equipment
- ▶ A use of near distance
- ▶ Laser class : 1 (IEC 60825-1:2007)

**Specification**

● **Optical (@RT)**

| Items                           | Values            | Unit |
|---------------------------------|-------------------|------|
| Optical output power            | <1                | mW   |
| Peak wavelength                 | 635±5             | nm   |
| Collimated beam wid.<br>(@FWHM) | <1.5 (@2M)        | mm   |
| Fan angle                       | 50                | °    |
| Line pattern                    | Accurate straight |      |
| Beam intensity pattern          | Gaussian          |      |

● **Electrical (@RT)**

| Items             | Values        | Unit |
|-------------------|---------------|------|
| Operating voltage | 5±5%          | DC V |
| Operating current | 35 (typ.)     | mA   |
| Drive circuit     | APC           |      |
| Operating temp.   | -10 ~ +50     | °C   |
| Storage temp.     | -40 ~ +85     | °C   |
| LD Pin Connection | Case positive |      |

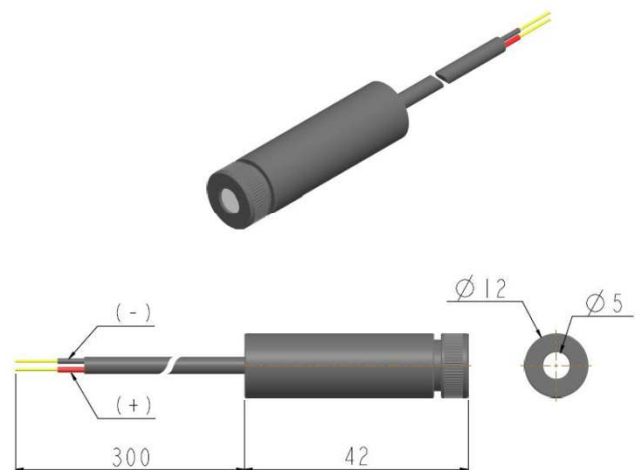
● **Mechanical**

| Items            | Values   | Unit |
|------------------|----------|------|
| Weight           | 13.5±1   | g    |
| Dimensions(mm)   | Ø12*42   | mm   |
| Housing material | Aluminum |      |

**Description**

The NDW series laser diode module combines laser diode technology, quality optics and sophisticated electronics within a slim and light aluminum anodized housing for variety of applications. This series of modules provides line laser beam in variety power and wavelengths. Applications include a measurement, positioning, lighting, alignment, guidelines, pointing, switching, leveling and machine vision etc. Useful in a variety of medical, industrial, and scientific instrumentation as well as general R&D work.

**Drawings**



**\* Line length by distance**

| Distance (mm) | Line length (mm) |
|---------------|------------------|
| 100           | about 120        |
| 300           | about 350        |
| 500           | about 580        |
| 1000          | about 1180       |

◆ **Warranty : One-year**

◆ **Accessory : Bracket (Mount) & Power adaptor**

**Lanics Co., Ltd.**  
Room #703, 7F Woolim e-Biz Center  
170-5, Guro-dong, Guro-gu, Seoul, 152-050, Korea  
TEL : +82-2-2108-2255 FAX : +82-2-2108-2260  
E-mail : support@lanics.com  
http:// www.lanics.com