

Features

- ▶ Typical wavelength, 635nm
- ▶ Stabilized optical power
- ▶ Attached deflection lens
- ▶ Single supply voltage, 5V DC
- ▶ Low power consumption
- ▶ Wire length : 30cm(standard) or custom
- ▶ Built-in waterproof equipment
- ▶ A use of near distance
- ▶ Laser class : 1 (IEC 60825-1:2007)

Specification

● **Optical (@RT)**

| Items | Values | Unit |
|---------------------------------|-------------------|------|
| Optical output power | <1 | mW |
| Peak wavelength | 635±5 | nm |
| Collimated beam wid. (@FWHM) | <1.5 (@2M) | mm |
| Fan angle | 50 | ° |
| Line pattern | Accurate straight | |
| Beam intensity pattern | Gaussian | |

● **Electrical (@RT)**

| Items | Values | Unit |
|-------------------|---------------|------|
| Operating voltage | 5±5% | DC V |
| Operating current | 35 (typ.) | mA |
| Drive circuit | APC | |
| Operating temp. | -10 ~ +50 | °C |
| Storage temp. | -40 ~ +85 | °C |
| LD Pin Connection | Case positive | |

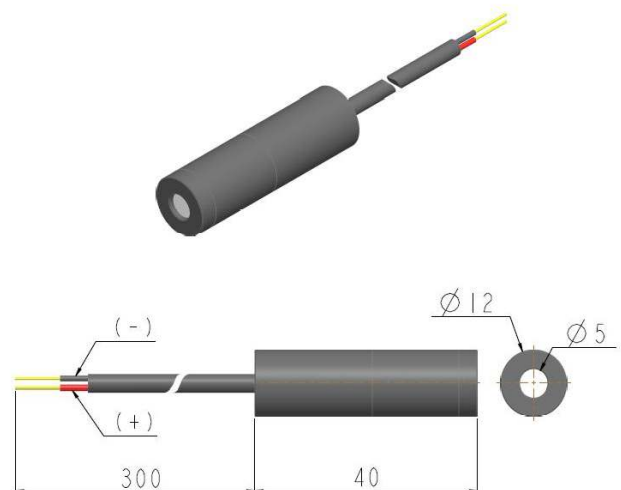
● **Mechanical**

| Items | Values | Unit |
|------------------|----------|------|
| Weight | 13.5±1 | g |
| Dimensions(mm) | Ø12*40 | mm |
| Housing material | Aluminum | |

Description

The NDE series laser diode module combines laser diode technology, quality optics and sophisticated electronics within a slim and light aluminum anodized housing for variety of applications. This series of modules provides line laser beam in variety power and wavelengths. Applications include a measurement, positioning, lighting, alignment, guidelines, pointing, switching, leveling and machine vision etc. Useful in a variety of medical, industrial, and scientific instrumentation as well as general R&D work.

Drawings



*** Line length by distance**

| Distance (mm) | Line length (mm) |
|---------------|------------------|
| 100 | about 120 |
| 300 | about 350 |
| 500 | about 580 |
| 1000 | about 1180 |

◆ **Warranty : One-year**

◆ **Accessory : Bracket (Mount) & Power adaptor**

Lanics Co., Ltd.
Room #703, 7F Woolim e-Biz Center
170-5, Guro-dong, Guro-gu, Seoul, 152-050, Korea
TEL : +82-2-2108-2255 FAX : +82-2-2108-2260
E-mail : support@lanics.com
http:// www.lanics.com