

Features

- ▶ Typical wavelength, 532nm
- ▶ **DPSS Green Laser**
- ▶ **Stabilized optical power with PD feedback(APC)**
- ▶ Single supply voltage, 12V DC
- ▶ **Collimated Dot beam**
- ▶ Long life time
- ▶ Wire length : 30cm(standard) or custom
- ▶ Laser class : 3B (IEC 60825-1)
- ◆ **Option : Bracket & Power supply.**

Specification

Optical

Optical power(mW)	15 (Tc=25°C)
Power Stability (%)	± 5
Wavelength(nm)	532
Spectral line width(nm)	< 0.1
Collimated Beam Size(mm)	< 2 (at 2.5m)
Collimated Beam Div.(mrad)	< 1.2
Axis align Degree (°)	< 1
Beam Quality	TEM00, M ² < 1.2
WarmUp Time (min)	20
Beam intensity Pattern	Gaussian

Electrical

Operating voltage(DC V)	12 ± 5%
Operating current(mA)	140 (Typ.)
Drive circuit	APC
LD Pin Connection	Case Positive
Operating Temp.(°C)	+15 ~ +35

Mechanical

Weight(g)	62 ± 1
Dimensions(mm)	20Φ X 100
Operating lifetime(h)	10,000 (@RT)
Housing material	Aluminum

Description

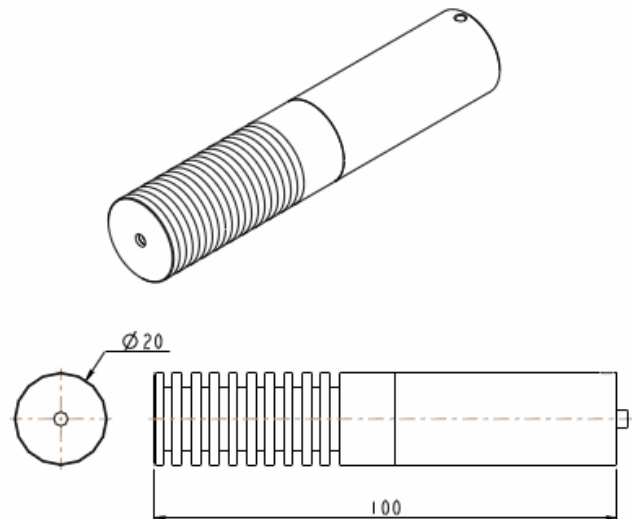
This Green laser emit laser beam of 532nm wavelength using DPSS method. DPSS(Diode pumped solid state) method means that it use high power 808nm LD(laser diode) as pumping energy source and it emit green laser through DPM composed of Nd:YVO4,KTP.

Moreover, Because Green laser using DPSS method has singular divergence angle,we must make the collimation beam using collimator.

It generates stable output power with external PD(Photo diode) feedback.

532nm Green beam is more visible and bright to the human eye. so, we can use green laser in the system of measurement, positioning, lighting, alignment, guideline, leveling, machine vision etc.

Drawings



Lanics Co., Ltd.

Room #703, 7F Woolim e-Biz Center
170-5, Guro-dong, Guro-gu, Seoul, 152-050, Korea
TEL : +82-2-2108-2255 FAX : +82-2-2108-2260

E-mail : support@lanics.com

[http:// www.lanics.com](http://www.lanics.com)