

Features

- ▶ Typical wavelength, 515nm
- ▶ Single supply voltage, 7~24V DC
- ▶ Line generator : Cylindrical glass lens
- ▶ Precisely adjustable line thickness
- ▶ 3 elements optic structure (2 lens fixed, 1 lens mobile)
- ▶ Wire length : 30cm(standard) or custom
- ▶ Laser class : 3B (IEC 60825-1)

Specification

● **Optical (@RT)**

Items	Values	Unit
Optical Power	5±10%	mW
Peak wavelength	515±10	nm
Collimated Beam Wide	<3 (@10m)	mm
Beam intensity pattern	Gaussian	

● **Electrical (@RT)**

Items	Values	Unit
Operating voltage	12±5%	DC V
Operating current	180 (max.)	mA
Drive circuit	ACC	
Operating temp.	-20 ~ +60	°C
Storage temp.	-40 ~ +85	°C
LD Pin Connection	VCC	

● **Mechanical**

Items	Values	Unit
Weight	35±1	g
Dimensions(mm)	Ø16*112	mm
Housing material	Aluminum	

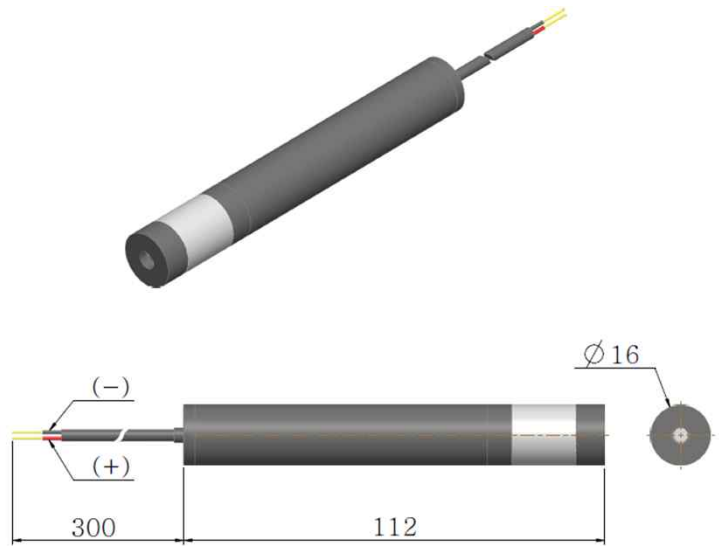
- ◆ **Warranty : One-year**
- ◆ **Accessory : Bracket (Mount) & Power adaptor**

Application

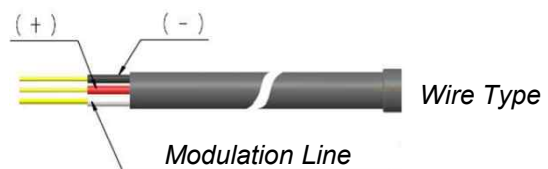
The GD series laser diode module combines laser diode technology, 3 elements lens optics, and sophisticated electronics within a slim and light aluminum anodized housing. Specially, 3 lens structure compensates line beam's curve & unbalance and dot beam's accurate focused point.

This series of modules provides a high-brightness elliptical laser line, and have various wavelengths and optical output power. Applications include a measurement, positioning, lighting, alignment, guidelines, pointing, switching, leveling, and machine vision etc. Useful in a variety of medical, industrial, and scientific instrumentation, as well as general R&D work.

Drawings



Modulation Option : digital ~1,000KHz



Lanics Co., Ltd.
Room #703, 7F Woolim e-Biz Center
170-5, Guro-dong, Guro-gu, Seoul, 152-050, Korea
TEL : +82-2-2108-2255 FAX : +82-2-2108-2260
E-mail : support@lanics.com
http:// www.lanics.com