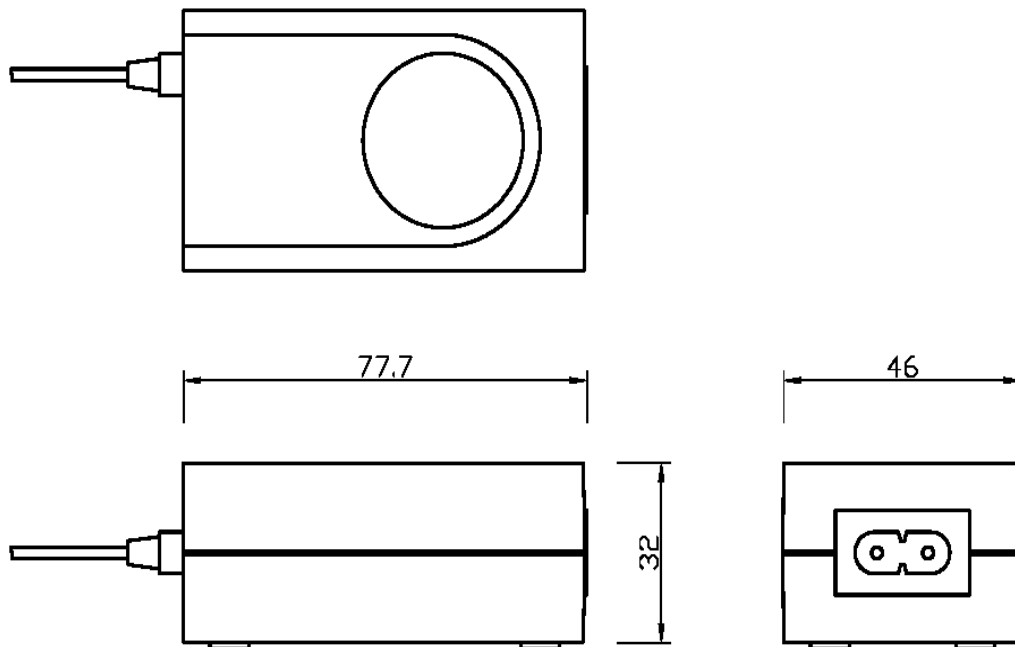


Specification

Input	AC 100V~250V, 47~63Hz
Output	+ 5V DC, 2.0A
Safety Approval	C-ul1950, TUV
Input connector	Shaver type
Case size	77.7mm(W) × 46mm(H) × 32mm(L)

Drawings



Lanics Co., Ltd.

Room #703, 7F Woolim e-Biz Center
170-5, Guro-dong, Guro-gu, Seoul, 152-050, Korea
TEL : +82-2-2108-2255 FAX : +82-2-2108-2260
E-mail : support@lanics.com
http:// www.lanics.com