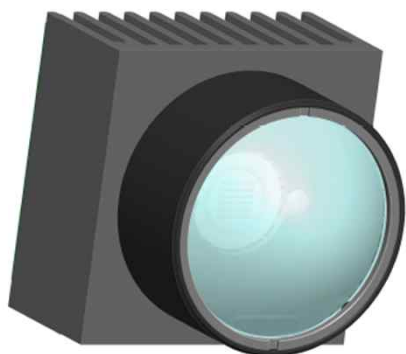


Features

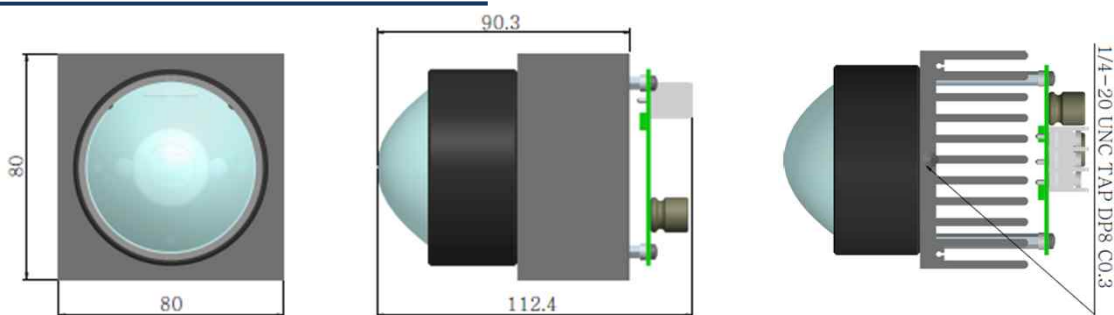


- To identify license plate max. distance : **10m**
- Typical wavelength : **735nm**
- Fan angle : **30°(Fixed)**
- Peak Power Consumption : **140W**
- Beam shape : **Circular**
- Weight : **0.55kg**
- Operating voltage : **DC 24V**
- Use Hybrid IR LED
- Pulse Wave Type(P.W)
- For indoor

Description

This IR LED illuminator is composed of Hybrid IR LED Chip, COB technology and operation circuit. This illuminator make uniform emission pattern by Aspheric lens and precisely integrated IR LED. Also, this can be used max. 10m distance by using Mega Pixel Camera in condition of shutter Speed 1/500~1/1000 to identify a license plate in an entrance of parking area, road etc.

Drawings



Specifications

Optical

Wavelength(nm) : 735±15

Fan Angle(°) : 30(Fixed)

Electrical

Operating Voltage(DC V) : 24±5%

Operating Current(A) : 5.8 (Max.)

Operating Temp.(°C) : -32~+45

Operating Time(Hours) : About 30,000

Mechanical

Dimension(mm) : 80×80×112.4

Weight(kg) : 0.55

Housing Material : Aluminum