

Features

- ▶ Typical wavelength, 735nm
- ▶ Use Hi-Power IR LED
- ▶ Pulse wave type (P.W)
- ▶ Peak power consumption 207W
- ▶ For indoor
- ▶ **Beam angle : 20 / 25 / 30 deg (adjustable)**
- ▶ **To Identify license plate**
Max distance : 8M

Description

This IR LED Illuminator are built in Hi-Power IR LED, COB package and operation circuit. This Illuminator make uniform emission pattern by 2 kind of lens and precisely integrated IR LED. Also, this can be used **Max 8M** distance by using **MEGA PIXEL CAMERA** in condition of shutter speed 1/500~1/1000 to identify a license plate in an entrance of parking area, road etc.

Specification

Optical (@RT)

Peak wavelength(nm)	735 ±15
Beam angle *full(degree)	20/25/30 (@FWHM)

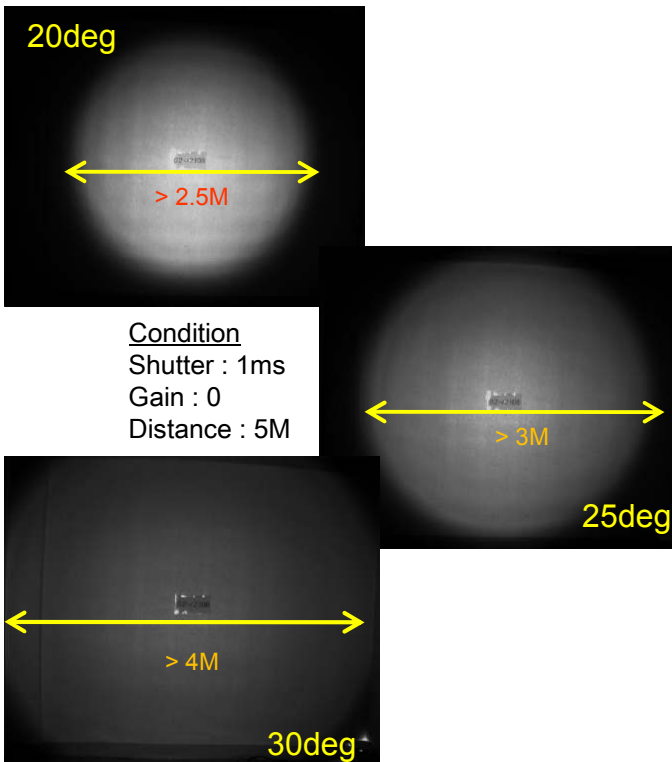
Electrical

Operating voltage(DC V)	24 (±5%)
Operating current(A) Max	8.6
Duty cycle(Hz) Max	60Hz
LED turn on duration(ms) min.	0.7
Operating temp(°C)	-32 ~ +45
Operating time(hour)	About 30,000

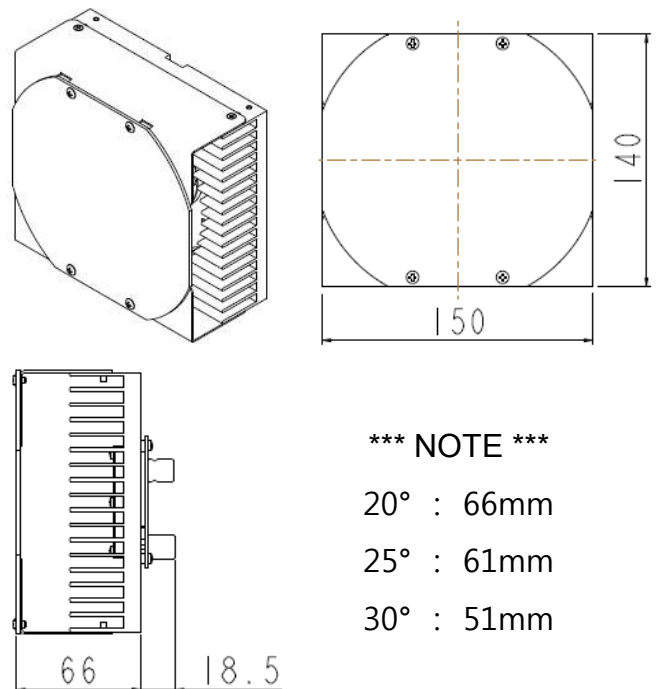
Mechanical

Dimensions(mm)	150*140*66 (H*V*L)
Weight (kg)	0.93
Housing material	Aluminum

Image by CCD camera



Drawings



LANICS CO., LTD.
Room #703, 7F Woolim e-Biz Center
170-5, Guro-dong, Guro-gu, Seoul, 152-050, Korea
TEL : +82-2-2108-2255 FAX : +82-2-2108-2260
E-mail : support@lanics.com
http:// www.lanics.com

The shape or property of this model can be changed without any notice